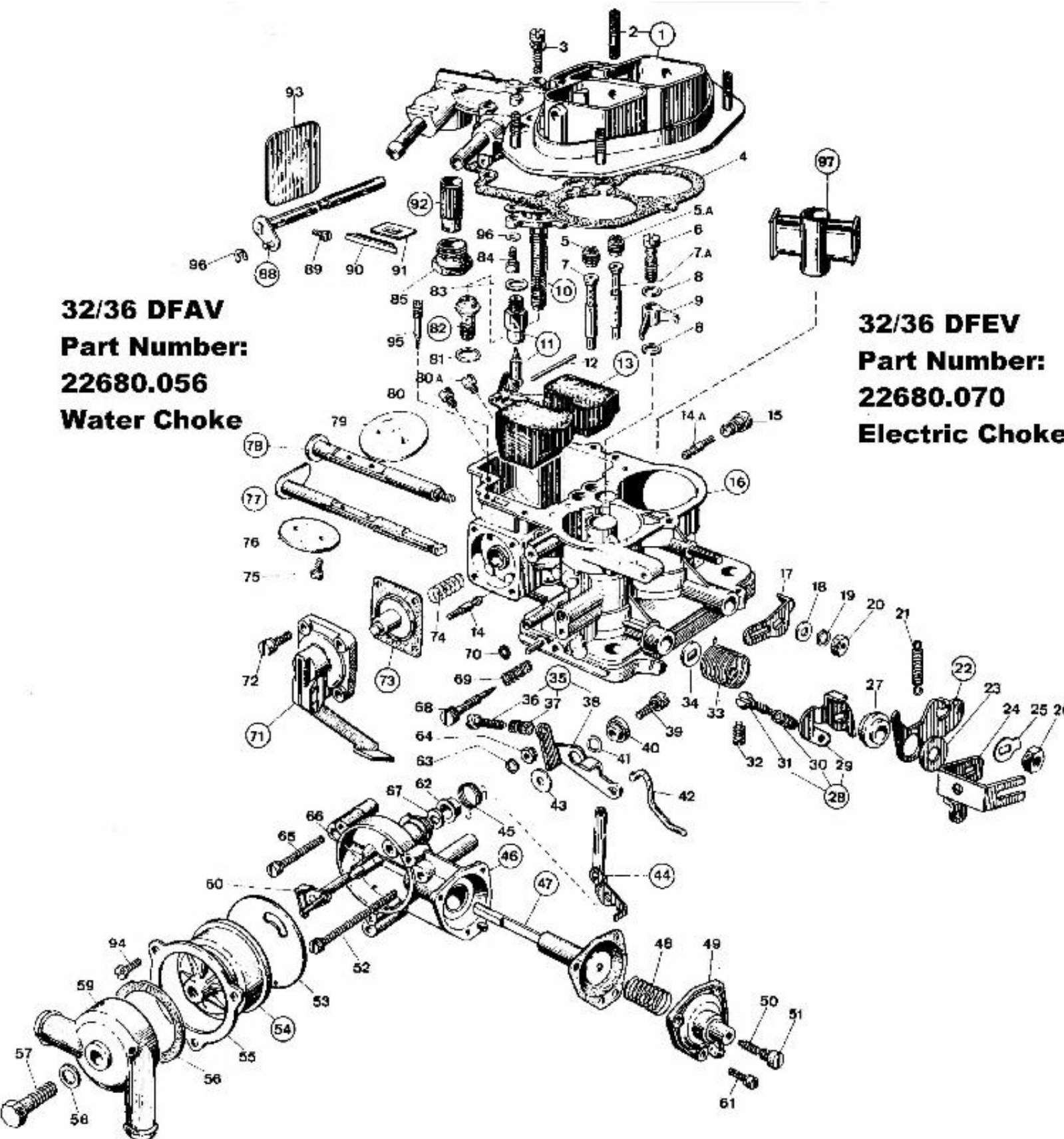


32/36 DFAV
Part Number:
22680.056
Water Choke

32/36 DFEV
Part Number:
22680.070
Electric Choke



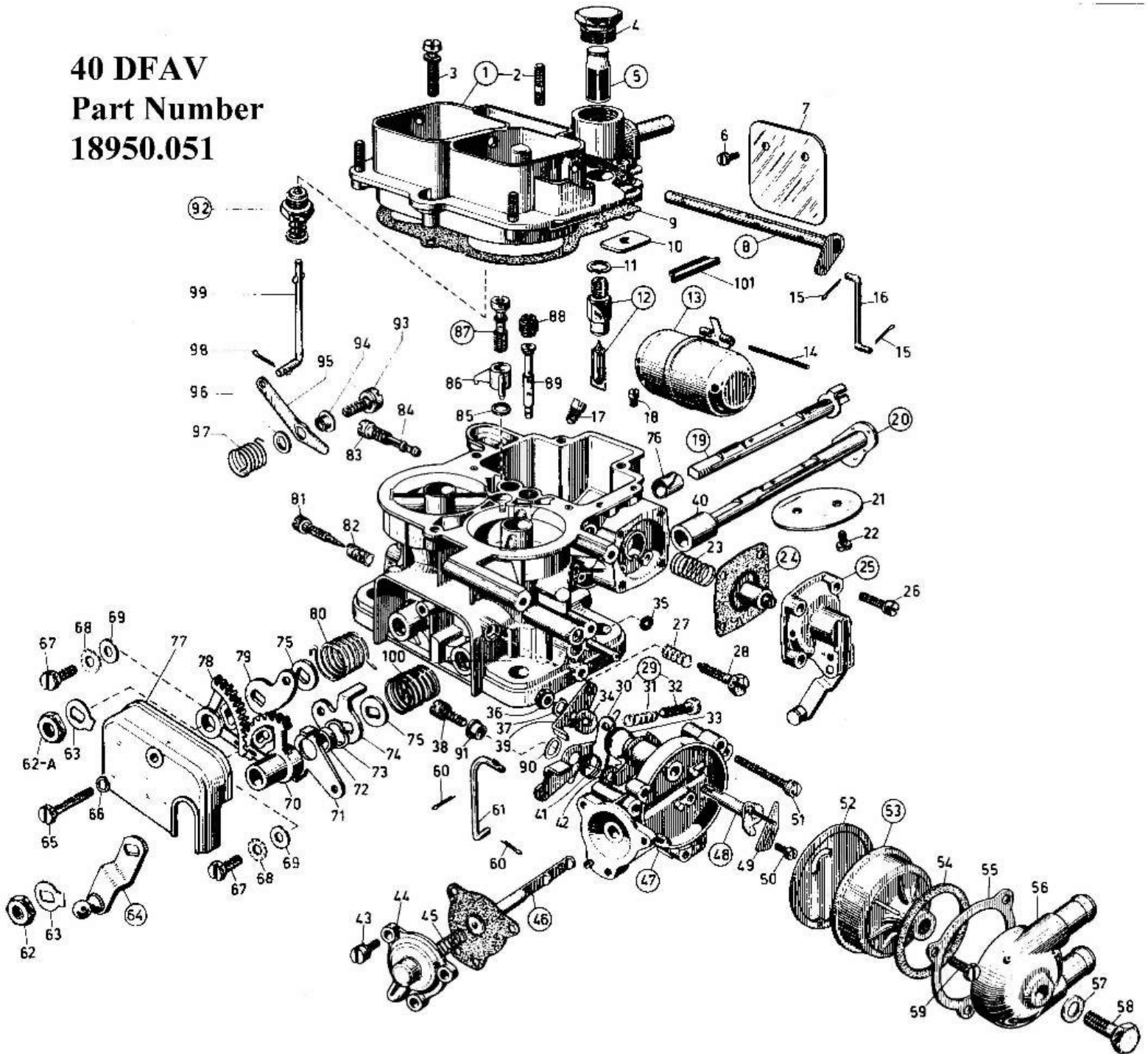
PARTS LIST

TYPE 32/36 DFAV – PART NO. 22680.056

32/36 DFEV – PART NO. 22680.070

Dia No.	Qty. Req'd	Description	Part Number	Dia No.	Qty. Req'd	Description	Part Number
1	1	Carburetor Cover Assy	Not Serviced	51	1	Screw Plug	61015.003
2	4	Stud Bolt	64955.002	52	1	Screw Securing Auto Choke Body	64700.015
3	5	Top Cover Fixing Screw	64700.005	53	1	Gasket For Auto Choke Body	41640.005
4	1	Top Cover Gasket	41705.034	54	1	Auto Choke Thermostat Assy	57804.076
5	1	Primary Air Corrector Jet	77201.*	54a	1	Electric Choke Thermostat	57804.332
5a	1	Secondary Ari Corrector Jet	77201.*	55	3	Thermostat Assy Locking Ring	52135.006
6	1	Pump Delivery Valve Assy	64290.024	56	1	Water Chamber Seal Gasket	41555.001
7	1	Primary Emulsion Tube	61440.*	57	1	Water Cover Fixing Screw	64615.001
7a	1	Secondary Emulsion Tube	61440.*	58	1	Gasket For Screw	41530.002
8	2	Pump Jet Gasket	41540.014	59	1	Auto Choke Water Chamber	32444.010
9	1	Accelerator Pump Jet	76211.*	60	1	Choke Shaft & Lever Assy	10085.031
10	1	Power Valve Assy	57804.025	61	3	Screw Securing Auto Choke Cover	64700.007
11	1	Needle & Seat	79519.*	62	1	Spring Retaining Cover	58000.018
12	1	Float Fixing Pin	52000.015	63	1	Spring Washer	Not Serviced
13	1	Plastic Float	41030.022	64	1	Fixing Nut	Not Serviced
14	1	Primary Idle Jet	74403.*	65	2	Screw Securing Auto Choke Body	64700.023
14a	1	Secondary Idle Jet	74403.*	66	1	Plate For Choke Shaft	52130.012
15	2	Idle Jet Holder	52570.005	67	1	Washer For Shaft	55555.029
16	1	Carb Body	Not Available	68	1	Idle Adjusting Screw	64750.001
17	1	Secondary Throttle Control Lever	45032.013	69	1	Spring For Idle Adjusting Screw	47600.007
18	1	Flat Washer	55510.046	70	1	Gasket For Auto Choke Body	41565.008
19	1	Spring Washer	55525.001	71	1	Accelerator Pump Cover Assy	32486.034
20	1	Fixing Nut	34705.001	72	4	Pump Cover Fixing Screw	64700.004
21	1	Spring For Loose Lever	47605.010	73	1	Accelerator Pump Diaphragm Assy	47407.261
22	1	Primary Loose Lever Assy	45069.006	74	1	Pump Loading Spring	47600.107
23	1	Flat Washer	55510.061	75	4	Throttle Valve Fixing Screw	64520.023
24	1	Throttle Control Lever	Not Serviced	76	1	Primary Throttle Valve	64005.090
25	1	Lock Washer	55520.002	77	1	Primary Main Shaft Assy	Not Serviced
26	1	Fixing Nut	34715.014	77a	1	Primary Main Shaft Assy Oversize	10016.475
27	1	Bushing For Loose Lever	12765.002	78	1	Secondary Main Shaft Assy	10015.413
28	1	Lever For Throttle Adjusting Screw Including	Not Serviced	79	1	Secondary Throttle Valve	64005.034
29	1	-Lever	45039.022	80	1	Primary Main Jet	73801.*
30	1	-Spring	47600.073	80a	1	Secondary Main Jet	73801.*
31	1	-Screw	64625.006	81	1	Power Valve Gasket	41530.013
32	1	Secondary Throttle Adjusting Screw	64595.005	82	1	Full Power Need Valve	64235.016
33	1	Primary Shaft Return Spring	47610.012	83	1	Gasket For Needle Valve	83102.070
34	1	Washer	55555.016	84	3	Power Valve Fixing Screw	64700.007
35	1	Fast Idling Loose Lever Including	Not Serviced	85	1	Strainer Inspection Plug	61002.018
36	1	-Screw	64590.004	86	1	Locking Ring	10140.501
37	1	-Spring	47600.007	88	1	Choke Shaft & Lever Assy	10020.214
38	1	-Lever	Not Serviced	89	4	Choke Plates Fixing Screw	64525.003
39	1	Screw Securing Fast Idle Loose Lever	64700.014	90	1	Dust Seal Plug	61070.002
40	1	Bushing For Fast Idle Loose Lever	12765.042	91	1	Dust Seal Plate	52135.018
41	1	Washer	55530.005	92	1	Strainer Assy	37022.010
42	1	Fast Idling Control Rod	61280.042	93	2	Choke Throttle Valve	64010.006
43	1	Flat Washer	55510.003	94	3	Screw For Thermostat Plate	64615.005
44	1	Choke Shaft Control Lever	Not Serviced	95	1	Pump Discharge Blanking Needle	64900.001
45	1	Spring For Fast Idle Cam	47610.083	96	3	Flat Washer	55510.038
46	3	Auto Choke Body Assy	57804.072	97	2	Auxiliary Venturi	71110.*
47	1	Choke Diaphragm Assy	47407.080	98	1	Choke Device 35-52; 61-67	57804.119
48	1	Spring For Diaphragm	47600.141			*Calibrated Parts Require 3 Digits To Complete Part Number	
49	1	Cover For Choke Diaphragm	32384.022			See Calibrated Parts Section For Sizes.	
50	1	Diaphragm Adjusting Screw	64595.005				

40 DFAV
Part Number
18950.051

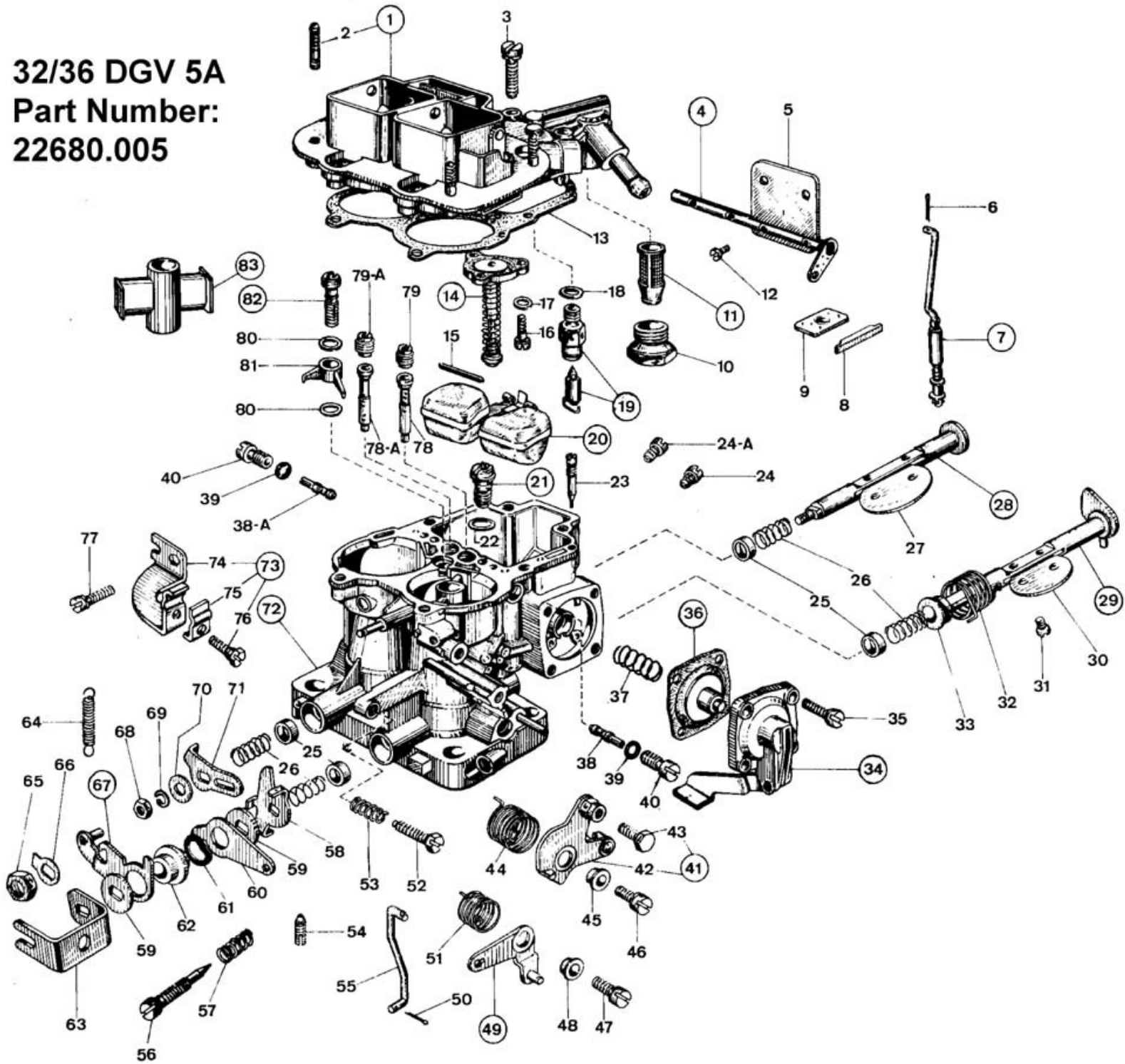


PARTS LIST

TYPE 40 DFAV – PART NO. 18950.051

Dia No.	Qty. Req'd	Description	Part Number		Dia No.	Qty. Req'd	Description	Part Number
1	1	Carb Top Cover	31716.092		51	3	Screw	64700.008
2	3	Stud Bolt	64955.002		52	1	Gasket	41640.005
3	5	Top Cover Screw	64700.005		53	1	Thermostat Assy	57804.005
4	1	Strainer Inspection Plug	61002.018		54	1	Gasket	41555.001
5	1	Stainer	37022.010		55	1	Ring	52135.006
6	4	Screw	64525.003		56	1	Water Chamber	32444.002
7	2	Plate	64010.007		57	1	Washer	41530.002
8	1	Shaft & Lever Assembly	10020.204		58	1	Bolt	64615.001
9	1	Top Cover Gasket	41705.031		59	3	Screw	64615.005
10	1	Dust Seal	52135.010		60	2	Split Pin	32610.005
11	1	Gasket	83102.070		61	1	Rod	61280.041
12	1	Needle & Seat	79519.*		62	2	Nut	34715.014
13	1	Float	41015.004		63	2	Lock Washer	55520.002
14	1	Float Pin	52000.015		64	1	Lever	45027.089
15	2	Split Pin	32610.005		65	1	Screw	Not serviced
16	1	Rod	61280.004		66	1	Washer	55525.007
17	2	Main Jet	73801.*		67	2	Screw	Not serviced
18	1	Plug	61015.005		68	2	Washer-External Tooth	55535.001
19	1	Shaft	10015.482		69	2	Washer	Not serviced
20	1	Shaft Assembly	10015.430		70	1	Primary Gear Lever (Right Hand)	58202.011
21	2	Plate	Not Serviced		71	1	Lever	Not serviced
22	4	Screw	64520.027		72	1	Bushing	Not serviced
23	1	Accelerator Pump Spring	47600.107		73	1	Washer	55530.002
24	1	Diaphragm Assembly	47407.027		74	1	Lever	Not serviced
25	1	Cover Assy	32486.015		75	2	Washer	55555.016
26	4	Screw	64700.004		76	4	Shaft Bushing	52130.010
27	1	Spring	47600.007		77	1	Cover	Not serviced
28	1	Screw	Not Serviced		78	1	Geared Carb Sector (Left Hand)	58202.003
29	1	Lever Assembly –Including	Not Serviced		79	1	Lever	Not serviced
30	1	-Lever	Not Serviced		80	1	Left Shaft Return Spring	47610.012
31	1	--Spring	47600.007		81	2	Needle Screw	64750.001
32	1	-Screw	64590.001		82	2	Spring	47600.007
33	1	Spring	Not Serviced		83	2	Idle Jet Holder	52570.005
34	1	Spacer	55555.006		84	2	Idle Jet	74403.*
35	1	O-Ring Seal	41565.008		85	1	Gasket	41540.014
36	1	Nut	34705.001		86	1	Accelerator Pump Jet	76212.*
37	1	Washer-Spring	Not Serviced		87	1	Accelerator Pump Valve Assembly	64290.005
38	1	Screw	64700.014		88	2	Air Corrector Jet	77201.*
39	1	Lever	Not Serviced		89	2	Emulsion Tube	61440.*
40	1	Spacer	12750.016		90	1	Washer	55530.005
41	1	Spring	47610.018		91	1	Bushing	12765.005
42	1	Washer	55510.013		92	1	Power Valve	Not serviced
43	3	Screw	64700.007		93	1	Lever Fixing Screw	64700.014
44	1	Cover	Not Serviced		94	1	Bushing For Lever	12775.017
45	1	Spring	Not Serviced		95	1	Valve Control Lever	Not serviced
46	1	Vacuum Diaphragm & Shaft Assy	47407.008		96	1	Washer For Lever	Not serviced
47	1	Body Assembly	Not Serviced		97	1	Spring For Lever	47610.033
48	1	Shaft & Lever Assy	10085.001		98	1	Split Pin For Rod	32610.005
49	1	Plate	52135.015		99	1	Valve Control Rod	Not serviced
50	1	Screw	Not Serviced		100	1	Right Shaft Return Spring	Not serviced
		*Calibrated Parts Require 3 Digits To			101	1	Dust Seal Plug	61070.002
		Complete Part Number						
		See Calibrated Parts Section For Sizes						11/1/00

32/36 DGV 5A
Part Number:
22680.005



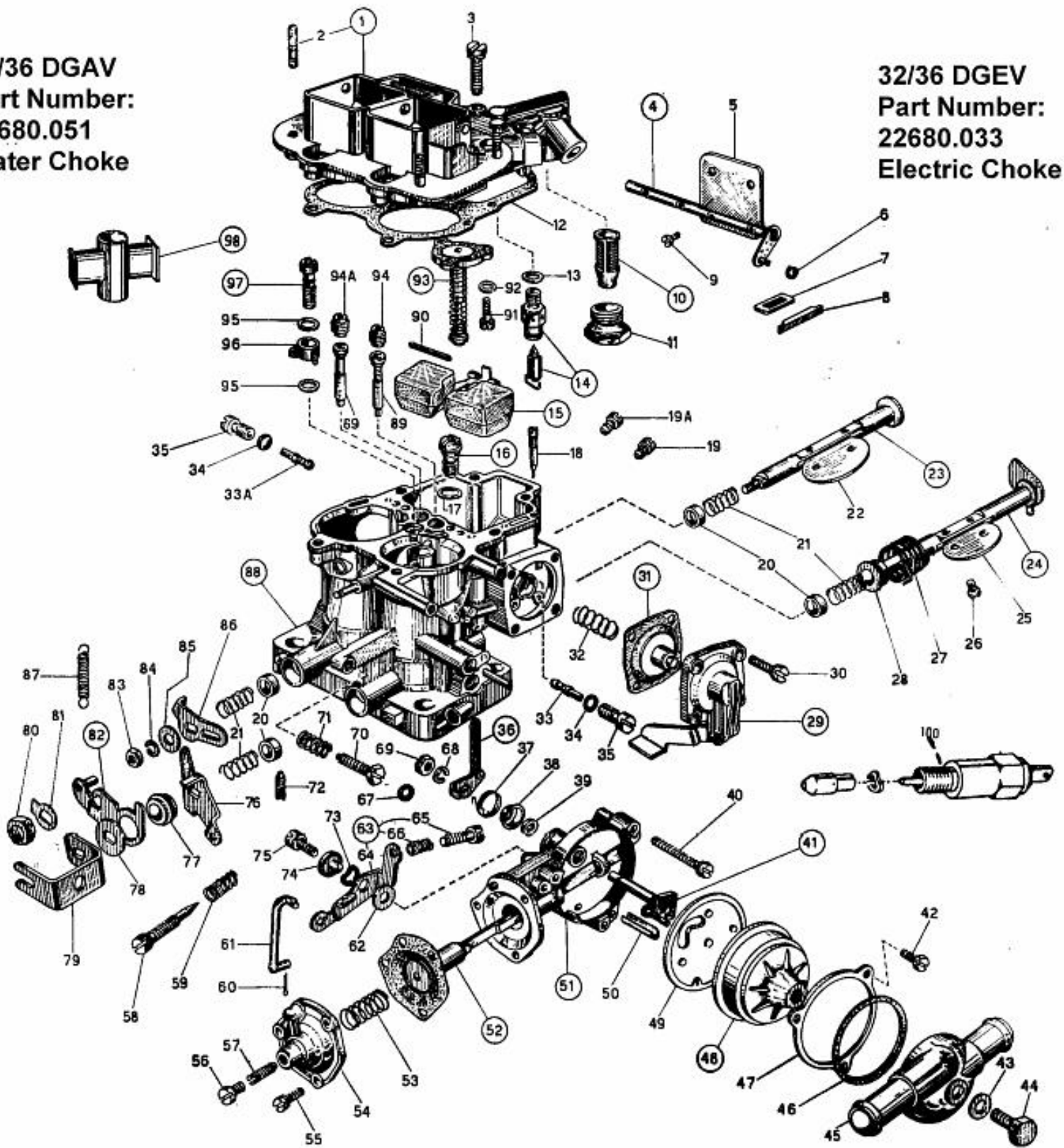
PARTS LIST

TYPE 32/36 DGV 5A – PART NO. 22680.005

Dia No.	Qty. Req'd	Description	Part Number	Dia No.	Qty. Req'd	Description	Part Number
1	1	Carburetor Cover Assy.	31716.132	42	1	-Lever	Not Serviced
2	4	Stud Bolt	64955.002	43	1	-Screw Securing Wire	64615.004
3	6	Carb. Cover Fixing Screw	64700.001	44	1	Spring For Choke Lever	47610.058
4	1	Choke Shaft & Lever Assy.	10020.222	45	1	Bushing For Choke Lever	12775.010
5	2	Choke Valve	64010.007	46	1	Choke Lever Fixing Screw	64700.012
6	1	Split Pin	32610.005	47	1	Square Lever Fixing Screw	64700.012
7	1	Choke Rod	61287.008	48	1	Bushing For Square Lever	12775.010
8	1	Dust Seal Plug	61070.002	49	1	Fast Idle Control Square Lever Assy.	45096.025
9	1	Dust Seal Plate	52135.010	50	1	Split Pin	32610.005
10	1	Strainer Inspection Plug	61002.018	51	1	Spring For Square Lever	47610.033
11	1	Strainer Assy.	37022.010	52	1	Primary Throttle Adjusting Screw	64625.017
12	4	Choke Plates Fixing Screw	64525.003	53	1	Spring For Throttle Adjusting Screw	47600.007
13	1	Carb Cover Gasket	41705.035	54	1	Secondary Throttle Adjusting Screw	64595.005
14	1	Carb Power Valve Assy.	57804.052	55	1	Fast Idling Control Rod	61280.086
15	1	Float Fixing Pin	52000.015	56	1	Idle Adjusting Screw	64750.025
16	3	Control Valve Retaining Screw	64700.007	57	1	Spring For Idle Adjusting Screw	47600.007
17	3	Washer For Control Valve Screw	55510.038	58	1	Primary Throttle Control Lever	45046.020
18	1	Needle Valve Gasket	83102.070	59	2	Washer For Loose Lever	55510.061
19	1	Needle Valve Assy.	79519*	60	1	Fast Idling Loose Lever	45067.024
20	1	Float Assy.	41030.019	61	1	Wavy Washer	55530.002
21	1	Full Power Needle Valve Assy.	64235.016	62	1	Bushing For Loose Lever	12775.006
22	1	Power Valve Gasket	41530.013	63	1	Throttle Valve Control Lever	45136.029
23	1	Pump Discharge Blanking Needle	64900.001	64	1	Spring For Loose Lever	47605.010
24	1	Primary Main Jet	73801.*	65	1	Throttle Shaft Fixing Nut	34715.014
24A	1	Secondary Main Jet	73801.*	66	1	Lock Washer	55520.002
25	4	Shaft Retaining Bushing	12750.085	67	1	Loose Lever Assy.	45069.011
26	4	Bush Retaining Spring	47600.027	68	1	Secondary Shaft Fixing Nut	34705.001
27	1	Secondary Throttle Valve	64005.034	69	1	Spring Washer	5525.001
28	1	Secondary Shaft	10015.492	70	1	Washer For Loose Lever	55510.046
29	1	Primary Shaft	10015.493	71	1	Secondary Throttle Control Lever	45032.124
30	1	Primary Throttle Valve	64005.090	72	1	Carburetor Body	Not Serviced
31	4	Throttle Plate Fixing Screw	64520.023	73	1	Sheath Support Assy. –Including	58702.024
32	1	Shaft Return Spring	47610.079	74	1	-Sheath Support	58700.028
33	1	Spacer	12765.047	75	1	-Sheath Securing Plate	52145.001
34	1	Accelerator Pump Cover Assy.	32486.076	76	1	-Sheath Plate Fixing Screw	64615.007
35	4	Pump Cover Fixing Screw	64700.006	77	1	Sheath Support Fixing Screw	64700.012
36	1	Accelerator Pump Diaphragm Assy.	47407.249	78	1	Primary Emulsion Tube	61440.*
37	1	Pump Loading Spring	47600.092	78A	1	Secondary Emulsion Tube	61440.*
38	1	Primary Idle Jet	74403.*	79	1	Primary Air Corrector Jet	77201.*
38A	1	Secondary Idle Jet	74403.*	79A	1	Secondary Air Corrector Jet	77201.*
39	2	Gasket For Idling Jet Holder	41565.002	80	2	Pump Jet Gasket	41540.014
40	2	Idling Jet Holder	52570.006	81	1	Accelerator Pump Jet	76226.*
41	1	Choke Control Lever Assy. –Including	45202.064	82	1	Pump Delivery Valve Assy.	64290.024
		Calibrated Parts Require 3 Digits To		83	1	Auxiliary Venturi	71111.
		Complete Part Number.					
		See Calibrated Parts Section For Sizes					

32/36 DGAV
Part Number:
22680.051
Water Choke

32/36 DGEV
Part Number:
22680.033
Electric Choke



PARTS LIST

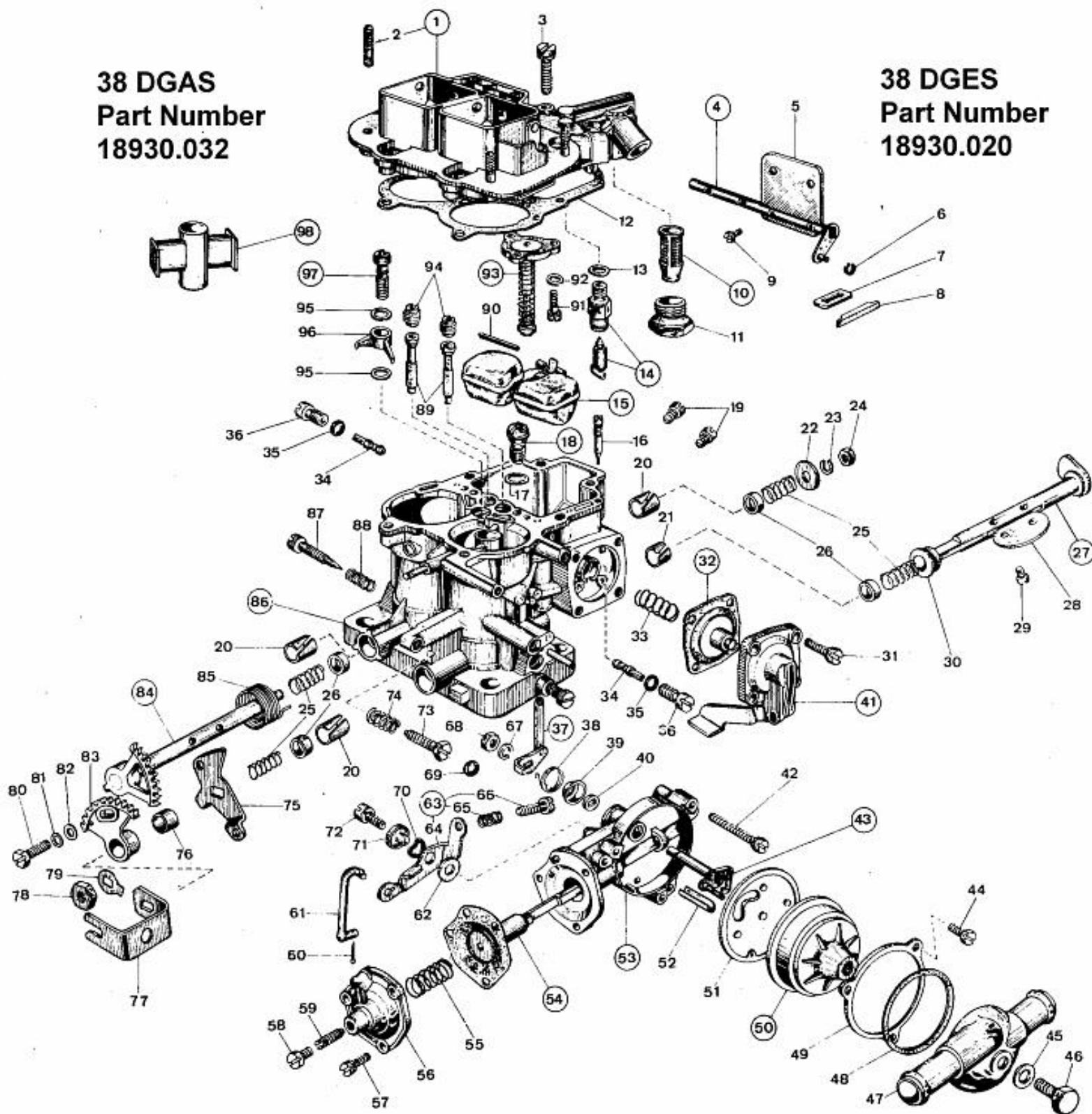
TYPE 32/36 DGAV – PART NO. 22680.051

32/36 DGEV – PART NO. 22680.033

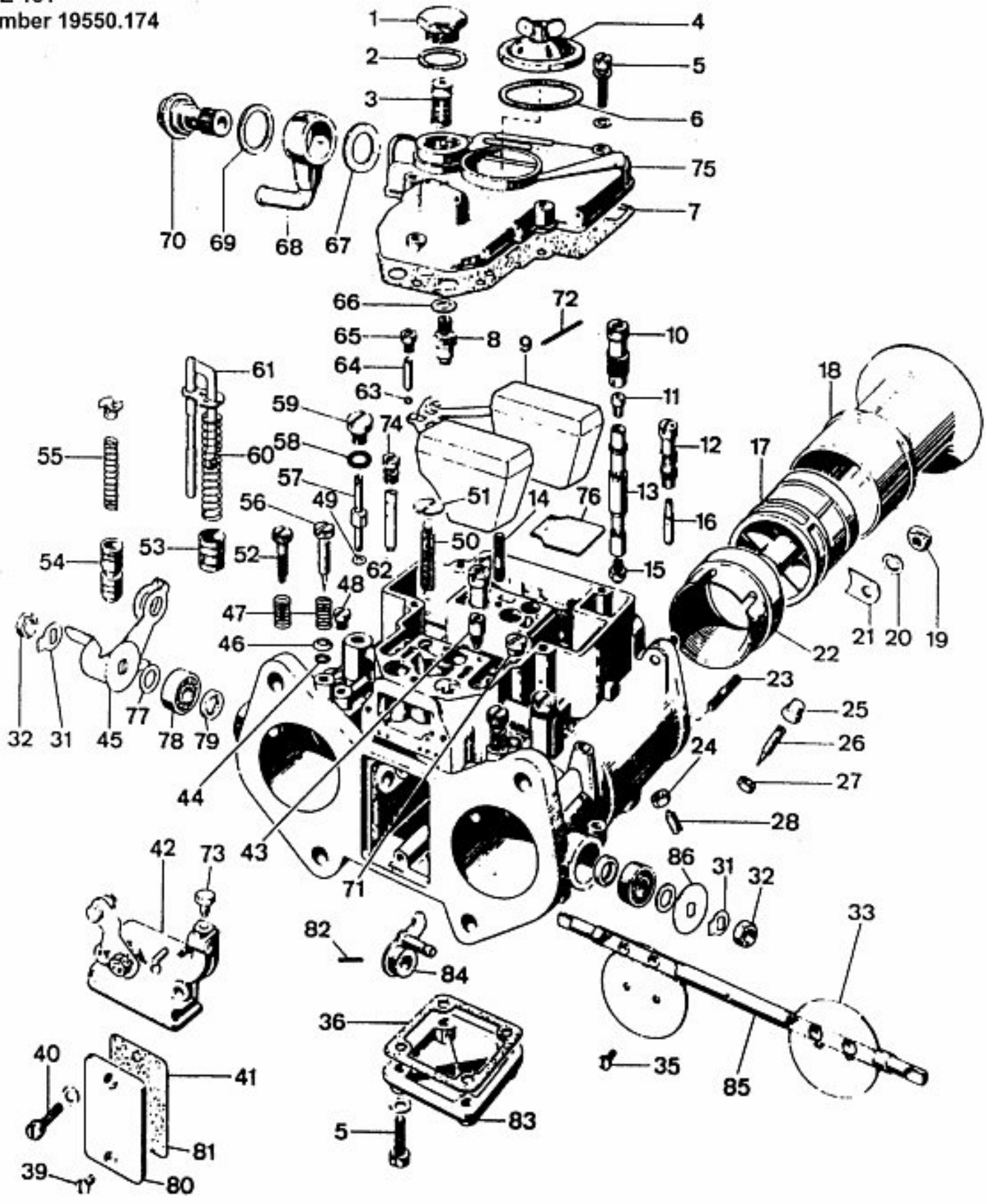
Dia No.	Qty. Req'd	Description	Part Number	Dia No.	Qty. Req'd	Description	Part Number
1	1	Carburetor Cover Assy.	31716.166	51	1	Auto Choke Body Assy	57804.074
2	4	Stud Bolt	64955.002	52	1	Choke Diaphragm Assy	47407.056
3	6	Carb Cover Fixing Screw	64700.001	53	1	Diaphragm Loading Spring	47600.141
4	1	Choke Shaft & Lever Assy.	10020.221	54	1	Auto Choke Cover	32384.020
5	2	Starting Throttle Valve	64010.007	55	3	Auto Choke Cover Fixing Screw	64700.007
6	1	Spring Ring	10140.501	56	1	Screw Plug	61015.003
7	1	Dust Seal Plate	52135.018	57	1	Diaphragm Adjusting Screw	64595.005
8	1	Dust Seal Plug	61070.002	58	1	Idle Adjusting Screw	64750.025
9	4	Choke Plate Fixing Screw	64525.003	59	1	Spring For Idle Adjusting Screw	47600.007
10	1	Strainer Assy.	37022.010	60	1	Split Pin	32610.005
11	1	Strainer Inspection Plug	61002.018	61	1	Fast Idling Control Rod	61280.082
12	1	Carb Cover Gasket	41705.035	62	1	Washer For Loose Lever	55510.003
13	1	Needle Valve Gasket	83102.070	63	1	Fast Idling Loose Lever Assy <i>Including</i>	45041.053
14	1	Needle Valve Assy.	79519.*	64	1	- Lever	45039.056
15	1	Float Assy.	41030.019	65	1	-Screw	64590.004
16	1	Full Power Needle Valve Assy.	64235.016	66	1	-Spring	47600.007
17	1	Power Valve Gasket	41530.013	67	1	Auto Choke O Ring Seal	41565.008
18	1	Pump Discharge Blanking Needle	64900.001	68	1	Spring Washer	Not Serviced
19	1	Primary Main Jet	73801.*	69	1	Throttle Shaft Fixing Nut	Not Serviced
19A	1	Secondary Main Jet	73801.*	70	1	Primary Throttle Adjusting Screw	64625.017
20	4	Shaft Retaining Bushing	12750.085	71	1	Spring For Throttle Adjusting Screw	47600.007
21	4	Bushing Retaining Spring	47600.027	72	1	Secondary Throttle Adjusting Screw	64595.005
22	1	Secondary Throttle Valve	64005.034	73	1	Wavy Washer For Loose Lever	55530.005
23	1	Secondary Shaft	10015.492	74	1	Bushing For Loose Lever	12765.042
23A	1	Secondary Shaft Oversized	10016.477	75	1	Loose Lever Fixing Screw	64700.014
24	1	Primary Shaft	10015.493	76	1	Primary Throttle Control Lever	45046.016
25	1	Primary Throttle Valve	64005.090	77	1	Bushing For Loose Lever	12765.002
26	4	Throttle Plate Fixing Screw	64520.023	78	1	Washer For Loose Lever	55510.061
27	1	Shaft Return Spring	47610.079	79	1	Throttle Valve Control Lever	45136.029
28	1	Spacer	12765.047	80	1	Throttle Shaft Fixing Nut	34715.014
29	1	Accelerator Pump Cover Assy	32486.076	81	1	Lock Washer	55520.002
30	4	Pump Cover Fixing Screw	64700.006	82	1	Loose Lever Assy	45069.011
31	1	Accelerator Pump Diaphragm Assy.	47407.249	83	1	Secondary Shaft Fixing Nut	34705.001
32	1	Pump Loading Spring	47600.092	84	1	Spring Washer	55525.001
33	1	Primary Idle Jet	74403.*	85	1	Washer For Loose Lever	55510.046
33A	1	Secondary Idle Jet	74403.*	86	1	Secondary Throttle Control Lever	45032.124
34	2	Gasket For Idling Jet Holder	41565.002	87	1	Spring For Loose Lever	47605.010
35	2	Idling Jet Holder	52570.006	88	1	Carburetor Body	Not Serviced
36	1	Choke Control Lever Assy.	45034.090	89	1	Primary Emulsion Tube	61440.*
37	1	Spring For Fast Idle Cam	47610.080	89A	1	Secondary Emulsion Tube	61440.*
38	1	Spring Retaining Cover	58000.018	90	1	Float Fixing Pin	52000.015
39	1	Washer For Shaft	55555.029	91	3	Control Valve Retaining Screw	64700.007
40	3	Choke Fixing Screw	64700.008	92	3	Washer For Control Valve Screw	55510.038
41	1	Auto Choke Shaft & Lever Assy.	10085.033	93	1	Carb Power Valve Assy	57804.097
42	3	Plate Screw	64615.005	94	1	Primary Air Corrector Jet	77201.*
43	1	Washer For Water Cover Fixing Screw	41530.002	94A	1	Secondary Air Corrector Jet	77201.*
44	1	Water Cover Fixing Screw	64610.014	95	2	Pump Jet Gasket	41540.014
45	1	Auto Choke Water Chamber	32444.005	96	1	Accelerator Pump Jet	76226.*
46	1	Water Chamber Seal Gasket	41555.001	97	1	Pump Delivery Valve Assy.	64290.024
47	1	Thermostat Assy Locking Ring	52135.006	98	2	Auxiliary Venturi	71111.*
48	1	Auto Choke Thermostat Assy	57804.079	99	1	Choke Device 36-41,50-57,68,69	57804.509
48A	1	Electric Choke Assy	57804.333	100	1	Idle Cut Off Solenoid	43928.060
49	1	Gasket For Auto Choke Body	41640.005			*Calibrated Parts Require 3 Digits To	
50	1	Plate For Choke Shaft	52130.012			Complete Part Number.	
						See Calibrated Parts Section For Sizes	

38 DGAS
Part Number
18930.032

38 DGES
Part Number
18930.020



40 DCOE 151
Part Number 19550.174

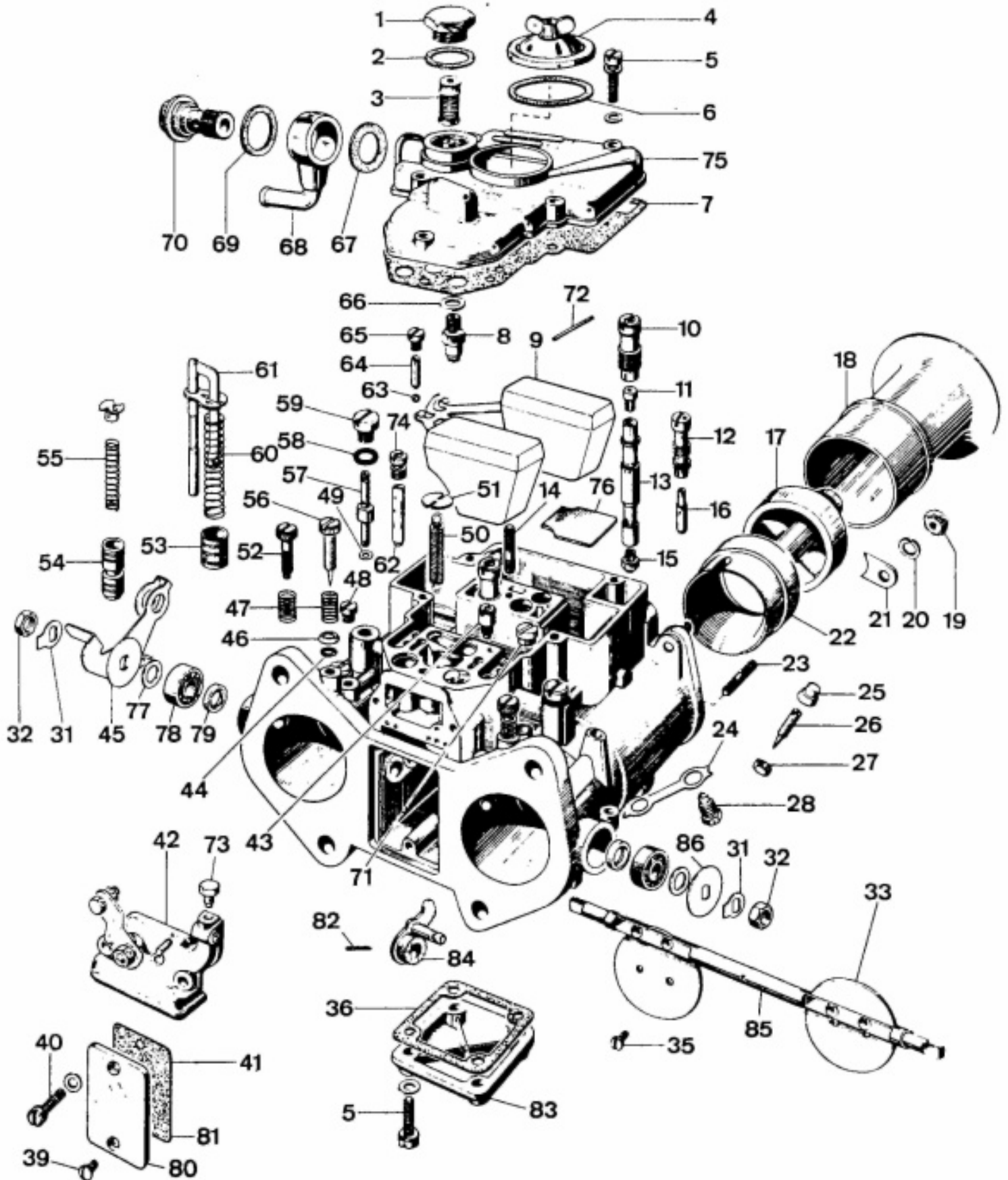


PARTS LIST

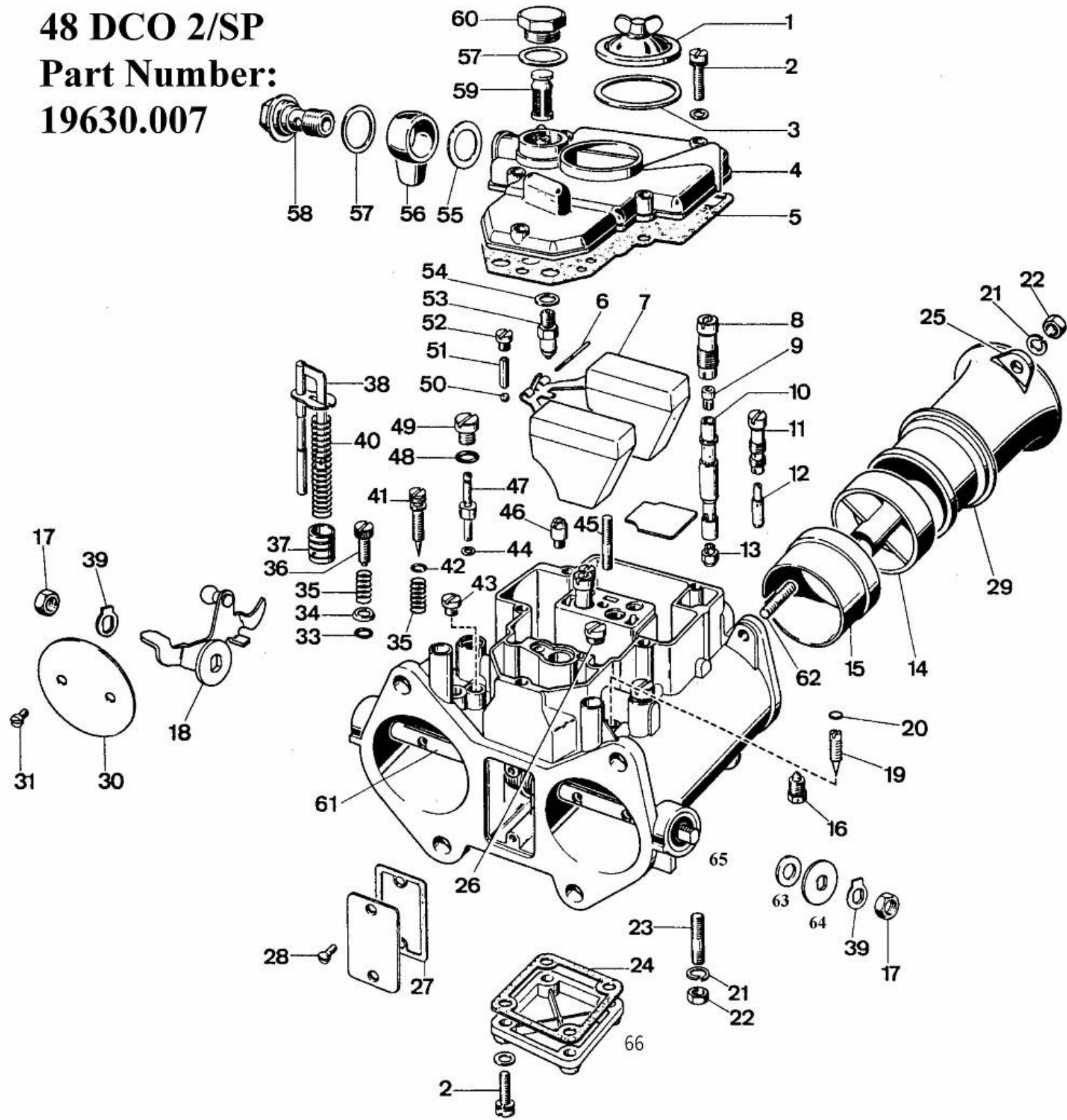
TYPE 40 DCOE 151 – PART NO. 19550.174

Dia No.	Qty. Req'd	Description	Part Number	Dia No.	Qty. Req'd	Description	Part Number
1	1	Filter Cover	61002.010	46	2	Idle Mixture Screw Cup Washer	58000.006
2	1	Filter Cover Gasket	41530.024	47	3	Spring	47600.007
3	1	Filter Element	37022.010	48	2	Vacuum Take Off Gasket	64590.008
4	1	Jet Inspection Cover	32376.003	49	2	Pump Jet Gasket	41535.021
5	9	Screw	64700.001	50	1	Throttle Spring	47605.027
6	1	Jet Inspection Cover Gasket	41550.002	51	1	Spring Anchor Plate	52210.006
7a	1	Rubber Top Cover Gasket	41715.011	52	1	Throttle Stop Screw	64625.012
7b	1	Paper Top Cover Gasket	41715.001	53	1	Pump Plunger	58602.003
8	1	Needle Valve	79503.*	54	2	Starter Valve	64330.003
9	1	Plastic Float	41030.034	55	2	Starter Valve Spring	47600.105
10	2	Emulsion Tube Holder	52580.001	56	2	Idle Mixture Screw	64750.003
11	2	Air Corrector Jet	77401.*	57	2	Pump Jet	76801.*
12	2	Idle Jet Holder	52585.006	58	2	Pump Jet 'O' Ring	41565.009
13	2	Emulsion Tube	61450.*	59	2	Pump Jet Cover	61015.008
14	1	Stud	64955.007	60	1	Pump Rod Spring	47600.064
15	2	Main Jet	73401.*	61	1	Pump Rod	10410.015
16	2	Idle Jet	748xx.*	62	2	Starter Jet	75507.085
17	2	Auxiliary Venturi	69912.*	63	2	Pump Demand Valve Ball	58300.003
18	2	Air Horn	52840.012	64	2	Pump Demand Weight	52730.001
19	4	Air Horn Fixing Nut	34715.010	65	2	Pump Demand Valve Cover	61015.006
20	4	Spring Washer	55525.010	66	1	Needle Valve Gasket	83102.120
21	4	Air Horn Tab	52150.012	67	1	Fuel Union Gasket	41530.031
22	2	Main Venturi (Choke)	72302.*	68	1	Fuel Union	10536.035
23	4	Stud	64955.101	69	1	Fuel Union Gasket	41530.024
24	2	Lock Washer	34710.003	70	1	Fuel Union Bolt	12715.008
25	2	Air By-Pass Screw Cap	14945.003	71	2	Progression Hole Inspection Cover	61015.009
26	2	Air By-Pass Screw	64750.002	72	1	Float Pin	52000.001
27	2	By-Pass Screw Lock Nut	34705.001	73	1	Choke Cable Clamp	64605.017
28	2	Locking Screw	64840.006	74	2	Starter Air Jet	77505.150
31	2	Lock Washer	55520.004	75	1	Carburetor Top Cover	31734.198
32	2	Throttle Spindle Nut	34710.003	76	1	Plate	52130.003
33	2	Throttle Plate	64005.044	77	2	Washer	55510.128
35	4	Throttle Plate Screw	64520.027	78	2	Sealed Bearing	32650.003
36	1	Bottom Cover Gasket	41640.001	79	2	'O' Ring	41575.019
39	2	Inspection Cover Fixing Screw	64570.009	80	1	Inspection Cover	52135.024
40	2	Choke Cover Fixing Screw	64700.004	81	1	Gasket	41640.021
41	1	Pump Cover Gasket	41640.021	82	1	Pin	58445.001
42	1	Cold Start Unit L/H	32556.002	83	1	Bottom Bowl Cover	32374.008
43	1	Exhaust Bleed	79701.*	84	1	Pump Cam Lever	45082.005
44	2	Idle Mixture Screw O Ring	41565.002	85	1	Throttle Shaft	10005.446
45	1	Throttle Lever	45048.007	86	1	Washer	99024.258
		*Calibrated Parts Require 3					
		Digits To Complete Part Number					
		See Calibrated Parts Section					
		For Sizes					

45 DCOE 152
Part Number 19600.060



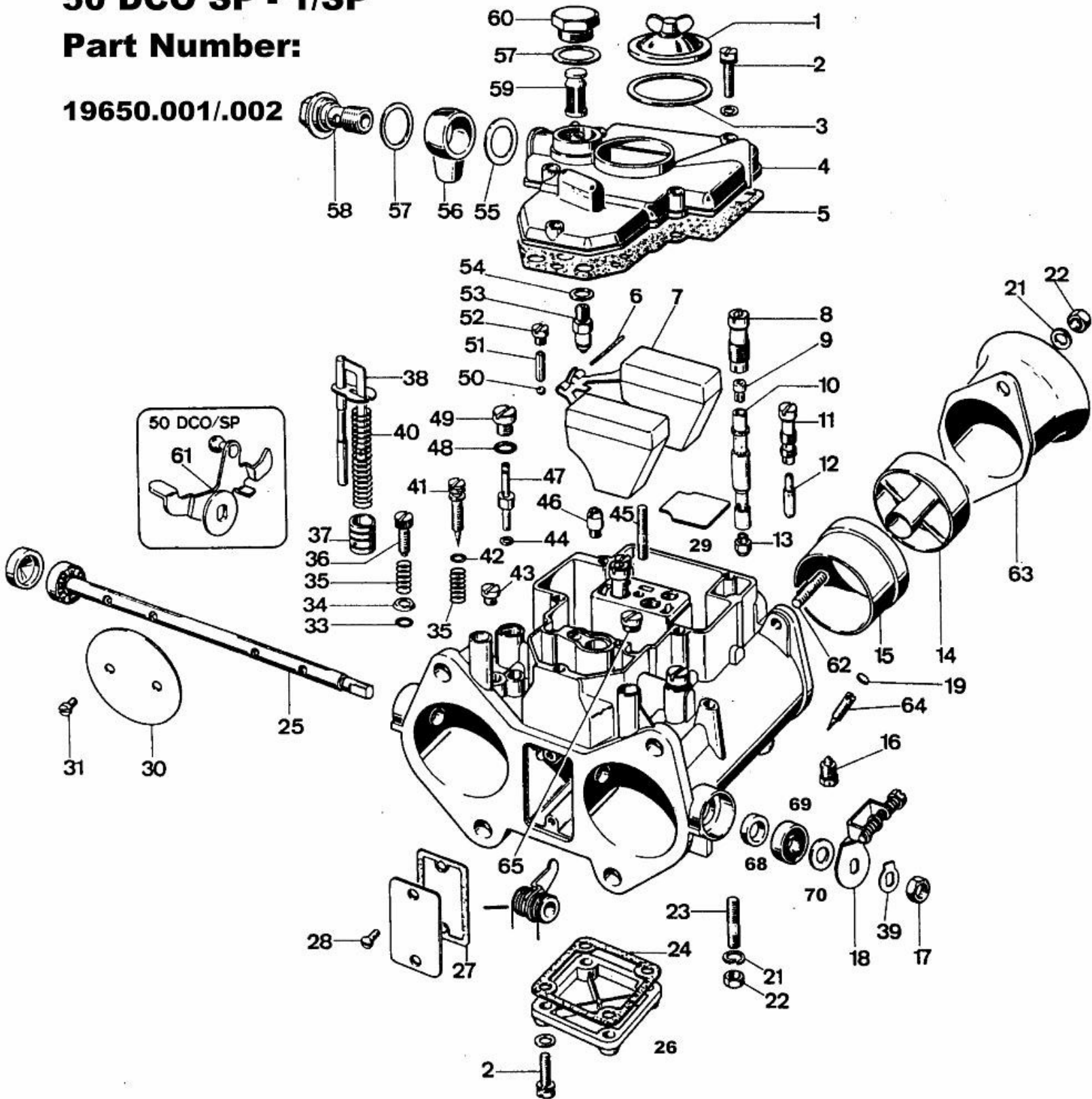
48 DCO 2/SP
Part Number:
19630.007



50 DCO SP - 1/SP

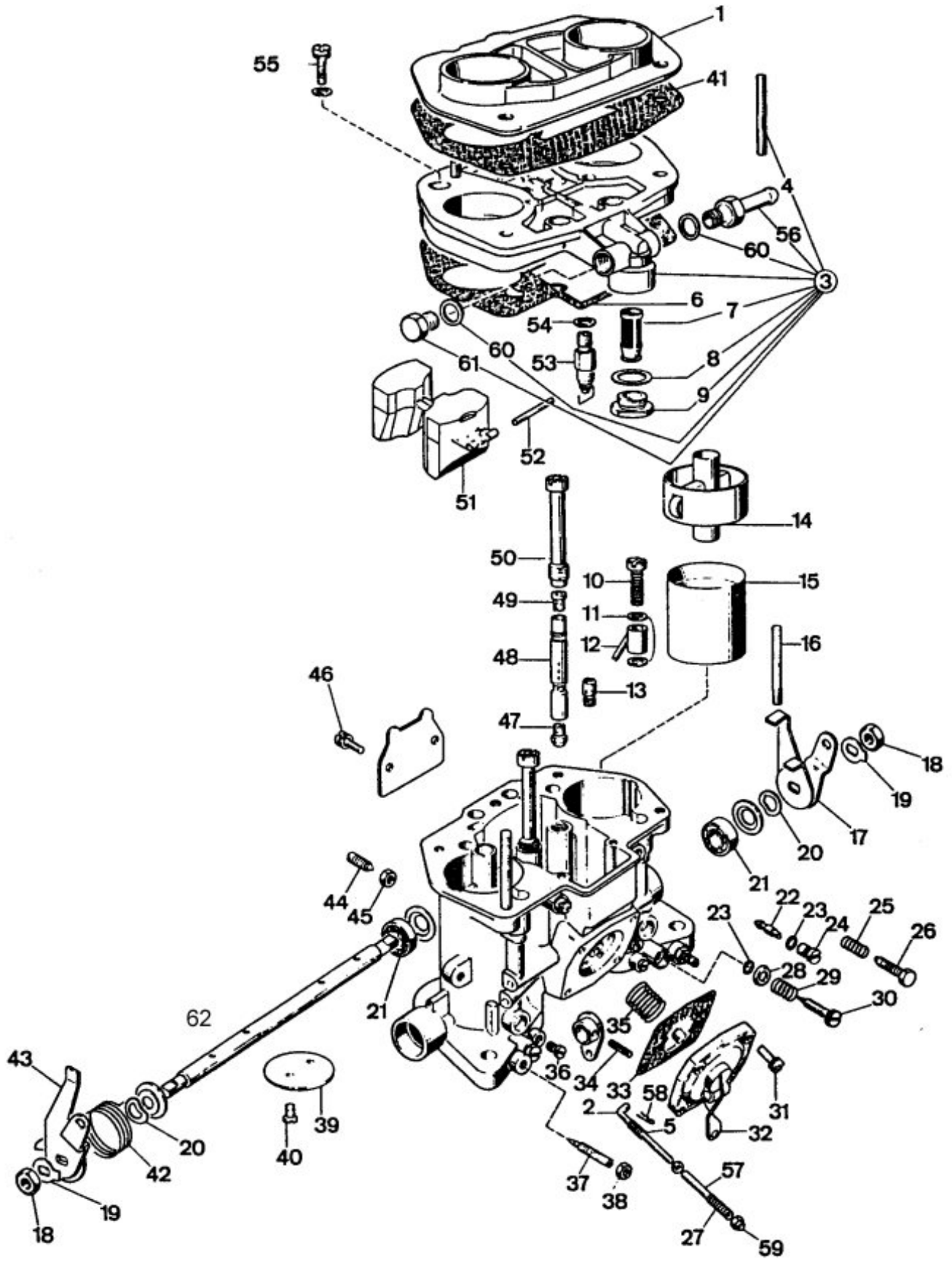
Part Number:

19650.001/.002

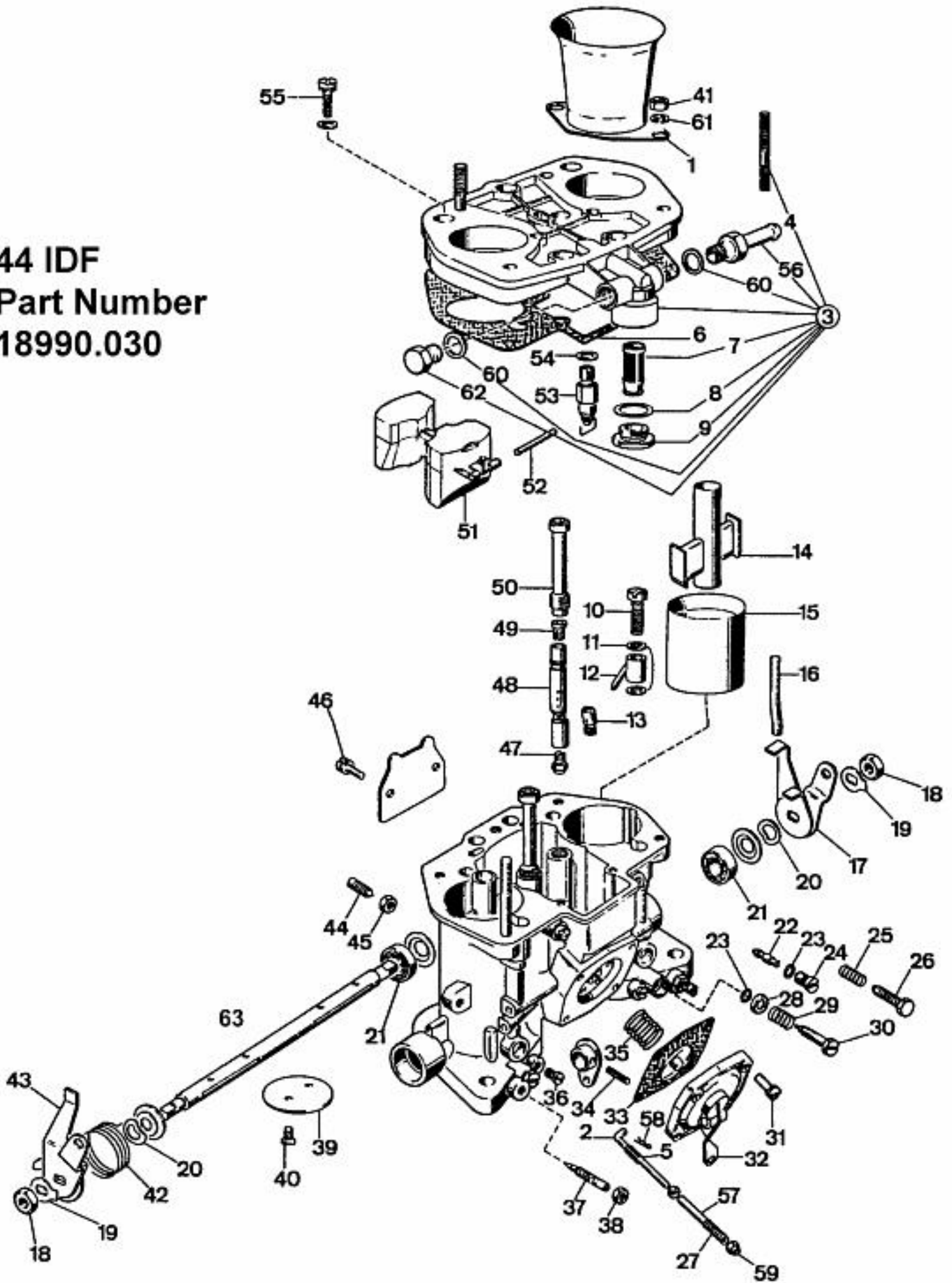




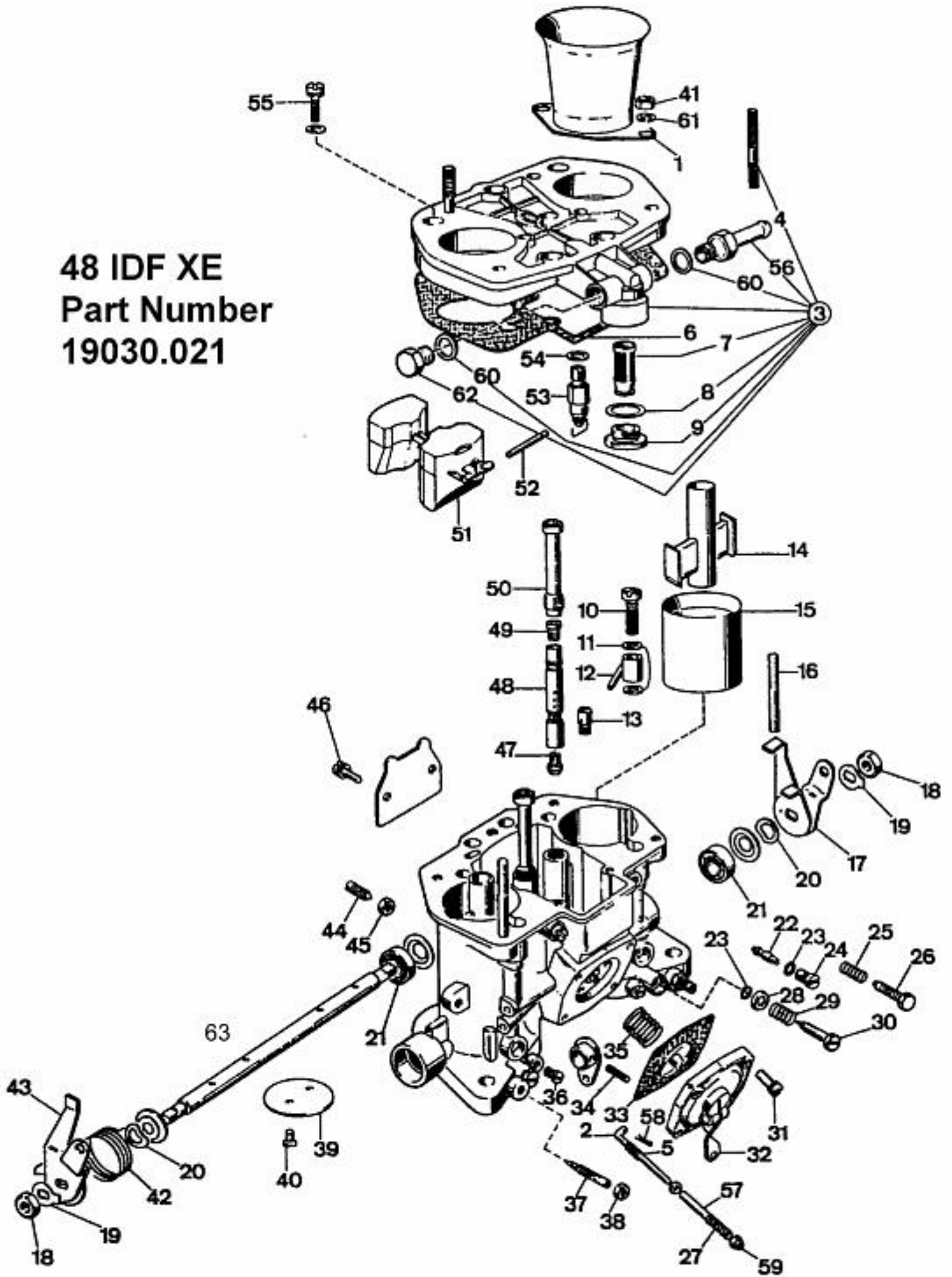
40 IDF XE
Part Number 18950.138



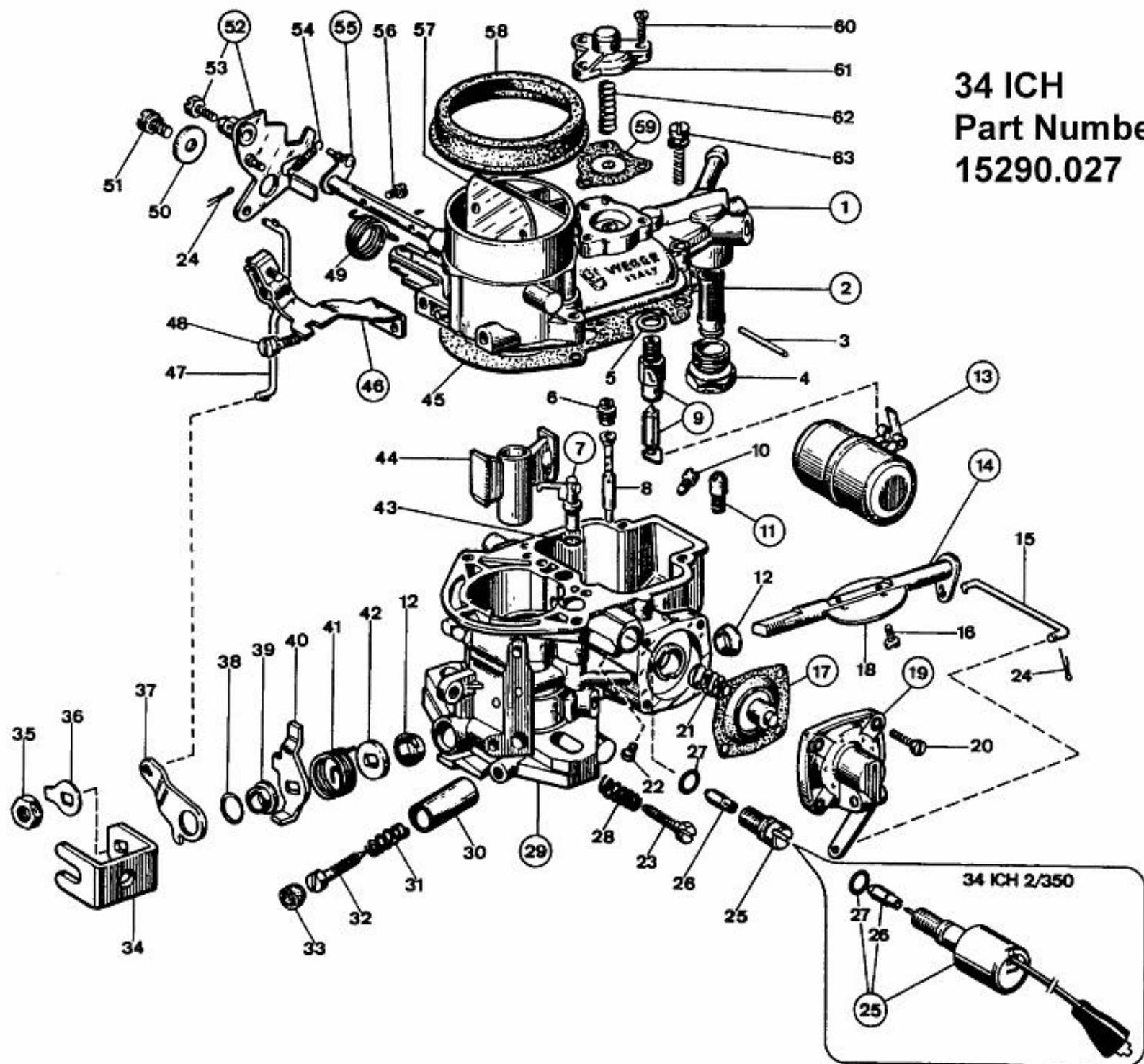
44 IDF
Part Number
18990.030

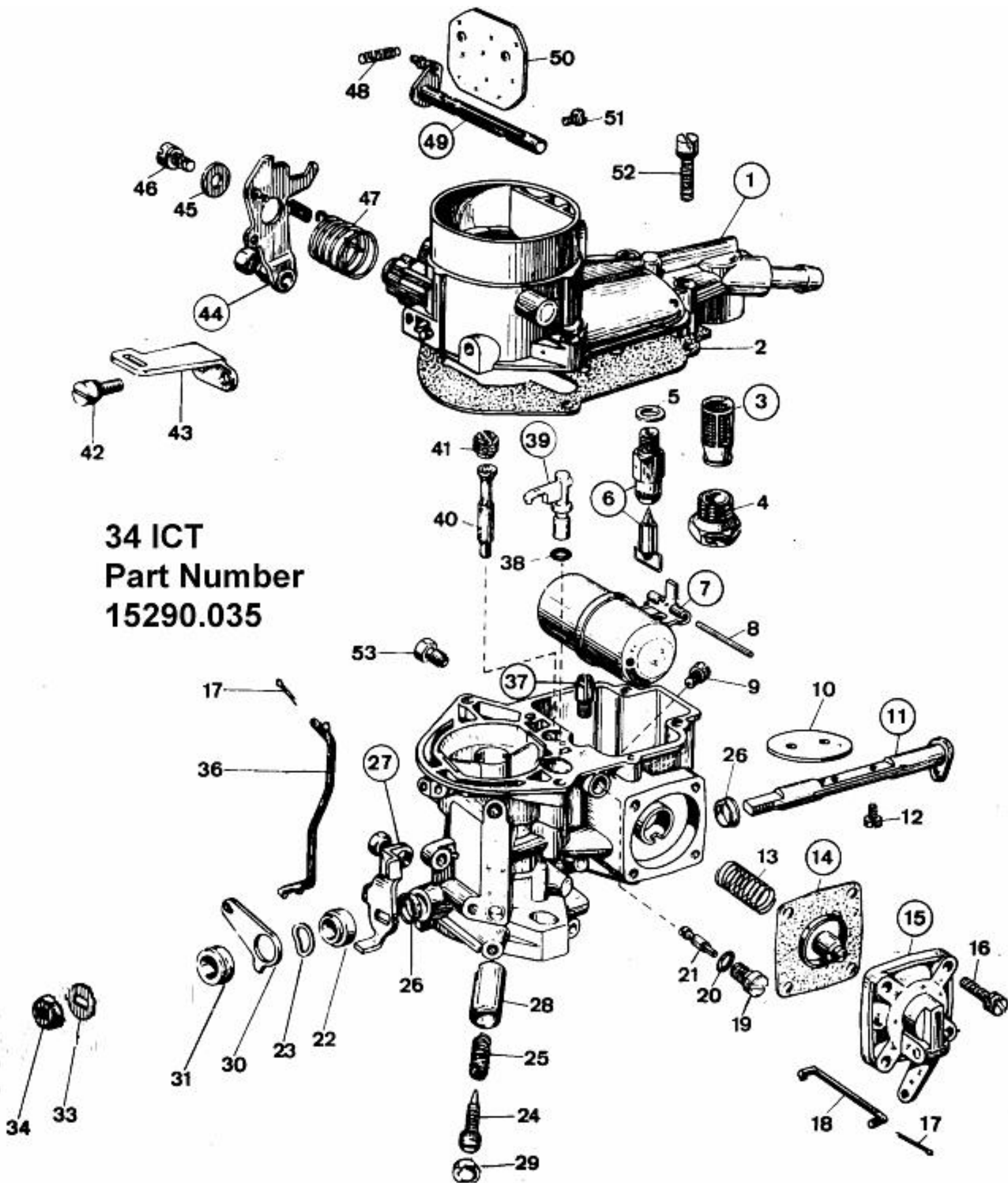


48 IDF XE
Part Number
19030.021



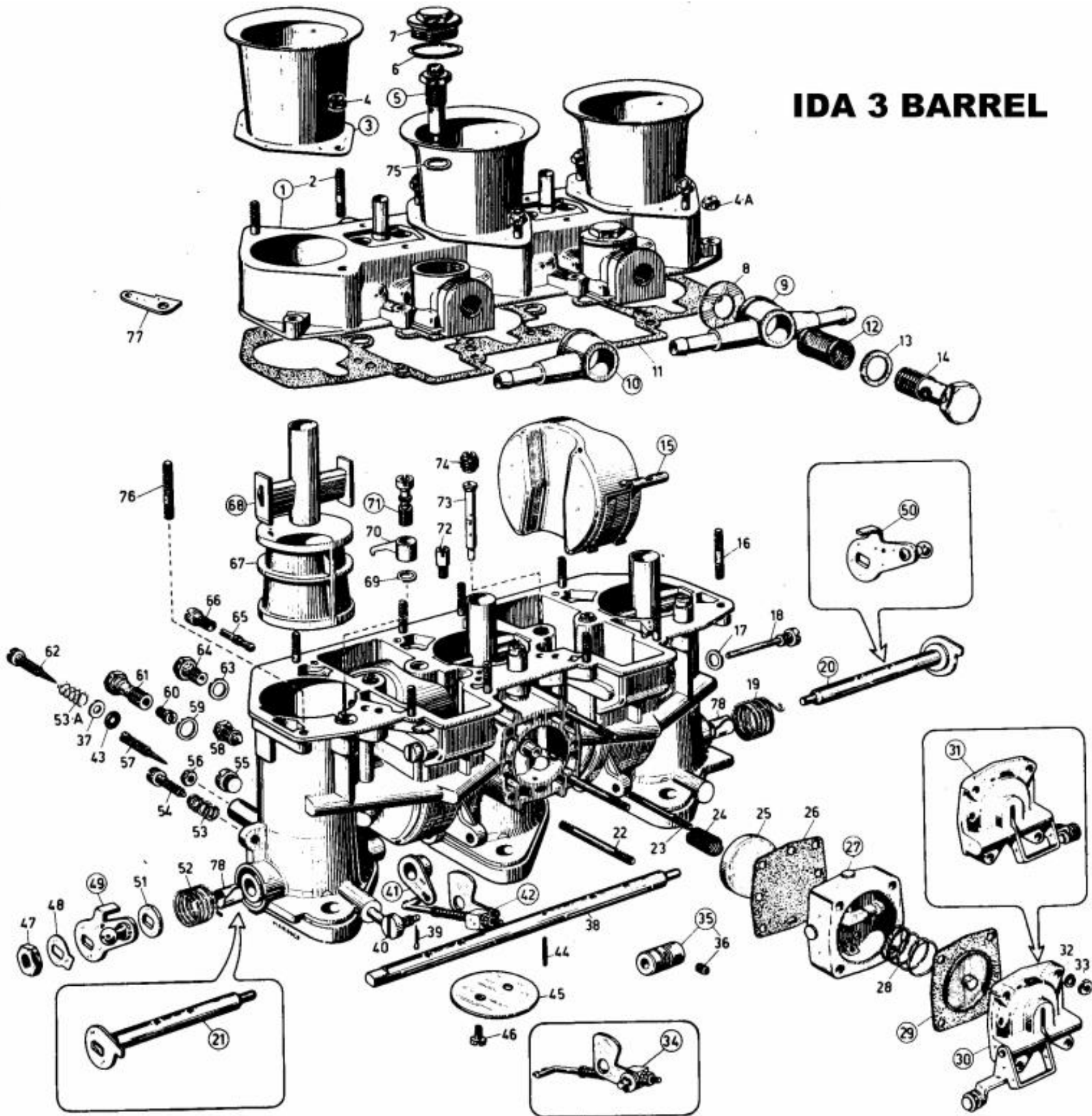
34 ICH
Part Number
15290.027





34 ICT
Part Number
15290.035

IDA 3 BARREL

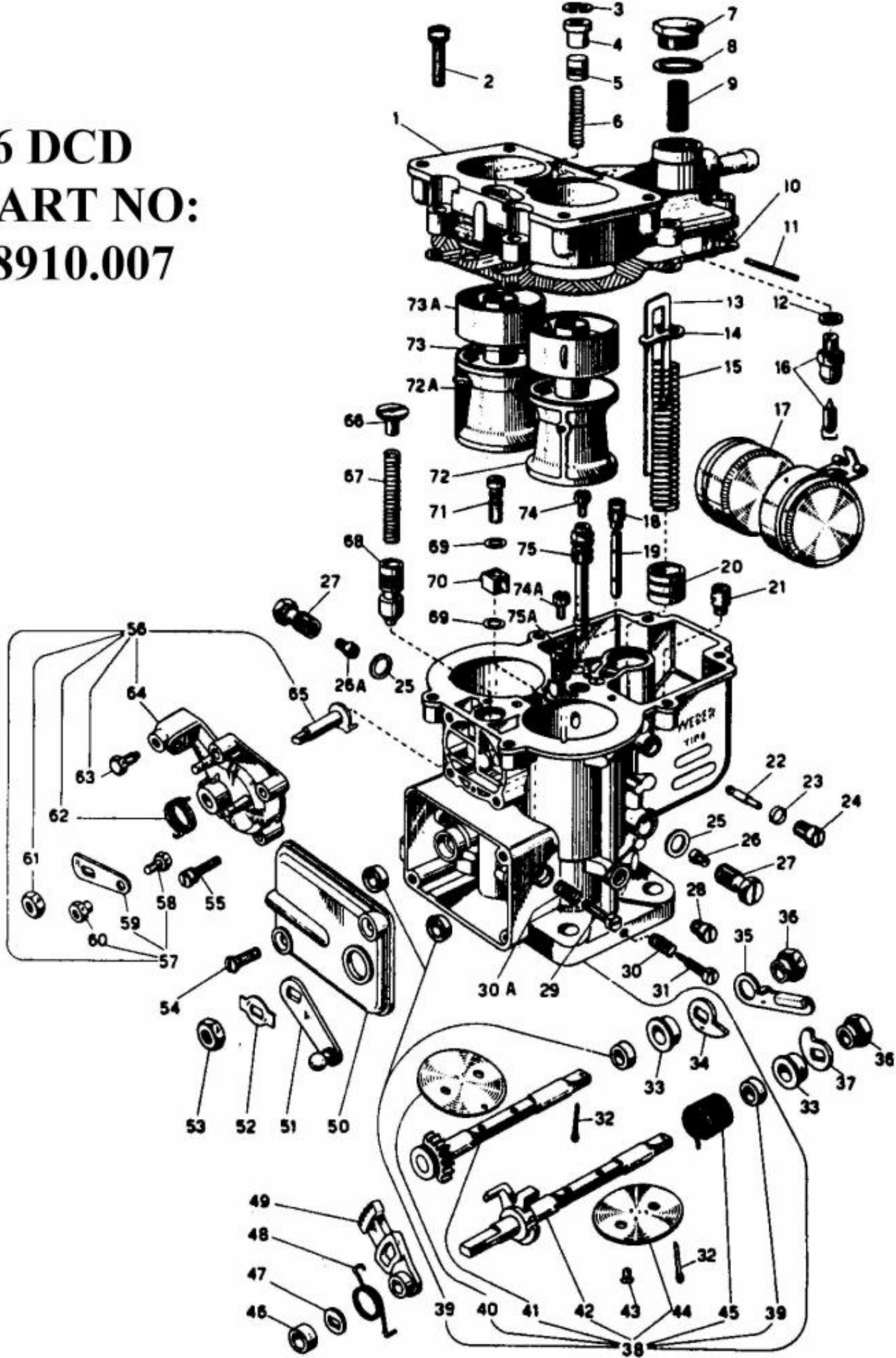


PARTS LIST

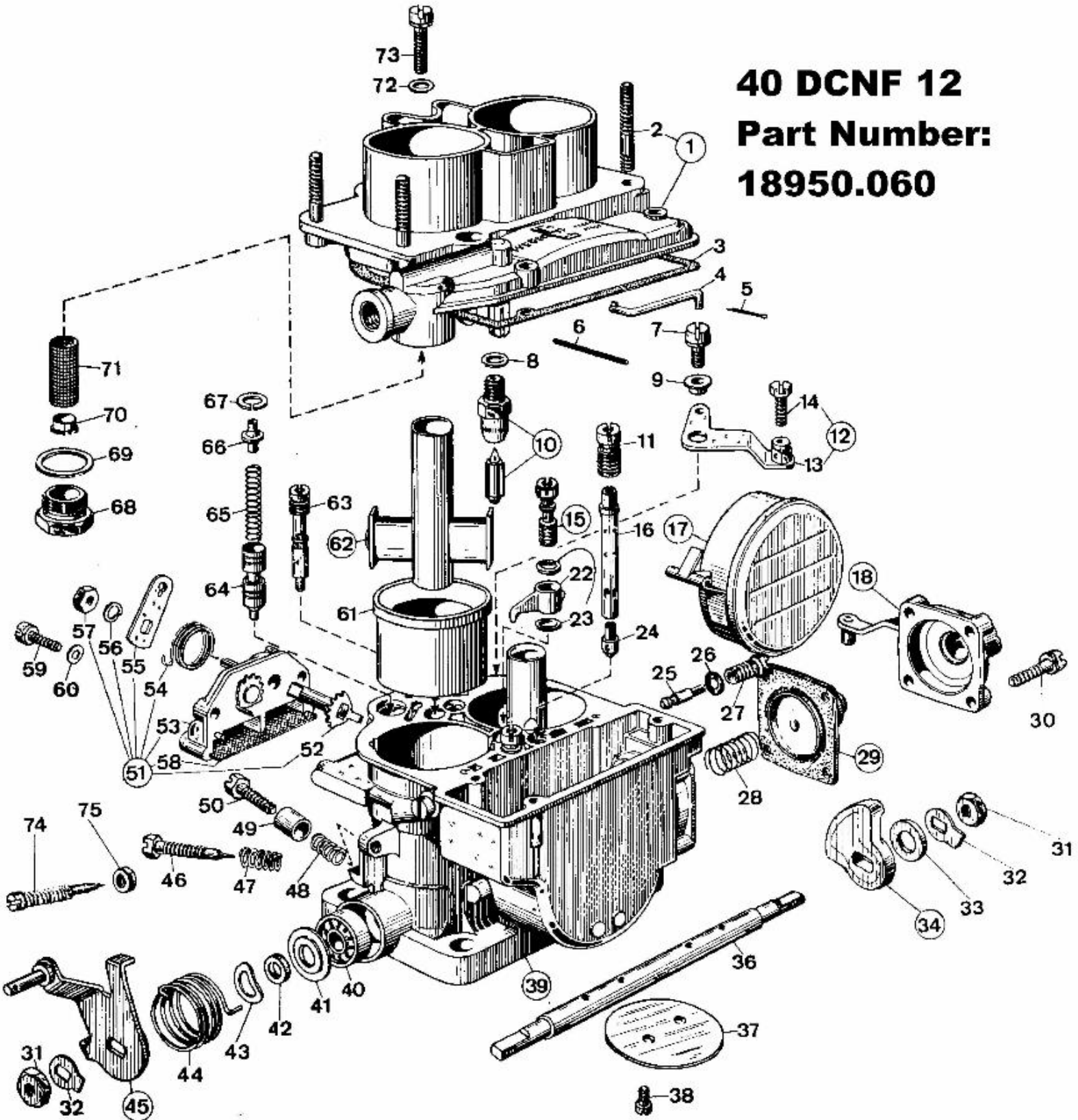
TYPE IDA 3 BARREL

Dia No.	Qty. Req'd	Description	Part Number	Dia No.	Qty. Req'd	Description	Part Number
1	1	Carburetor Cover	Not Serviced	41	1	Lever	45027.007
2	6	Stud	64970.002	42	1	Tie Rod 40 IDA 3C1	61287.001
3	3	Air Intake	52845.005	43	3	'O' Ring	41565.002
4	6	Nut	34725.003	44	1	Spring Pin	58445.001
4a	10	Nut	34725.003	45	3	Throttle	64005.126
5	2	Needle Valve	79508.*	46	6	Screw	64520.027
6	2	Gasket	41530.035	47	1	Nut	34715.007
7	2	Plug	61002.005	48	1	Washer	55520.008
8	2	Gasket	41530.004	49	1	Control Lever 40 IDA 3C1	45034.028
9	1	Filter Body	10356.005	50	1	Control Lever 40 IDA 3C	45034.027
10	1	Filter Body	10356.002	51	1	Washer	55555.019
11	1	Gasket	41710.001	52	1	Spring	47610.071
12	2	Filter Gauze	37022.001	53	1	Spring	47600.007
13	2	Gasket	41530.001	53a	3	Spring	47600.007
14	2	Plug	12715.014	54	1	Throttle Adjusting Screw	64590.005
15	2	Float	41015.007	55	3	Progression Hole Inspection Screw	61015.009
16	9	Stud	64955.029	56	3	Nut	34705.006
17	2	Gasket	41530.017	57	3	Air Adjusting Screw	64750.002
18	2	Fulcrum Screw	64900.012	58	3	Choke Fixing Screw	64840.003
19	1	Spring	47610.072	59	3	Gasket	41540.001
20	1	Spindle 40 IDA 3 C1	10015.419	60	3	Main Jet	73801.*
20a	1	Oversize Spindle 40 Ida 3c1	10016.442	61	3	Jet Holder	52590.001
21	1	Spindle 40 IDA 3c	10015.415	62	3	Idling Mixture Adjusting Screw	64750.004
21a	1	Oversize Spindle 40 Ida 3c	10016.443	63	2	Gasket	41530.008
22	2	Stud	64955.011	64	2	Plug	61002.006
23	2	Stud	64955.020	65	3	Idling Jet	74403.*
24	1	Spring	47600.128	66	3	Jet Holder	52570.005
25	1	Pump Valve	64190.004	67	3	Choke	71502.*
26	1	Diaphragm	47405.011	68	3	Secondary Venturi	71103.450
27	1	Pump Body	39174.002	69	3	Gasket	41540.014
28	1	Spring	47600.012	70	3	Pump Jet	76201.*
29	1	Diaphragm	47407.010	71	3	Delivery Valve	64290.005
30	1	Pump Cover 40 IDA 3C1	32486.009	72	1	Intake Valve	79701.*
31	1	Pump Cover 40 IDA 3C	32486.010	73	3	Emulsion Tube	61440.*
32	4	Spring Washer	55525.007	74	3	Air Corrector Jet	77201.*
33	4	Nut	34705.003	75	2	Gasket	41530.005
34	1	Tie Rod 40 IDA 3C	61287.002	76	1	Stud	64955.030
35	1	Elastic Joint Including:	32272.001	77	1	Plate	52150.006
36	4	-Screw	64600.001	78	2	Shaft Bushing	52130.010
37	3	Washer	55510.018				
38	1	Spindle	10005.407			*Calibrated Parts Require 3 Digits To	
39	2	Split Pin	32610.006			Complete The Part Number.	
40	1	Fulcrum Screw	64895.003			See Calibrated Parts Section For Sizes	
	12/28/00						

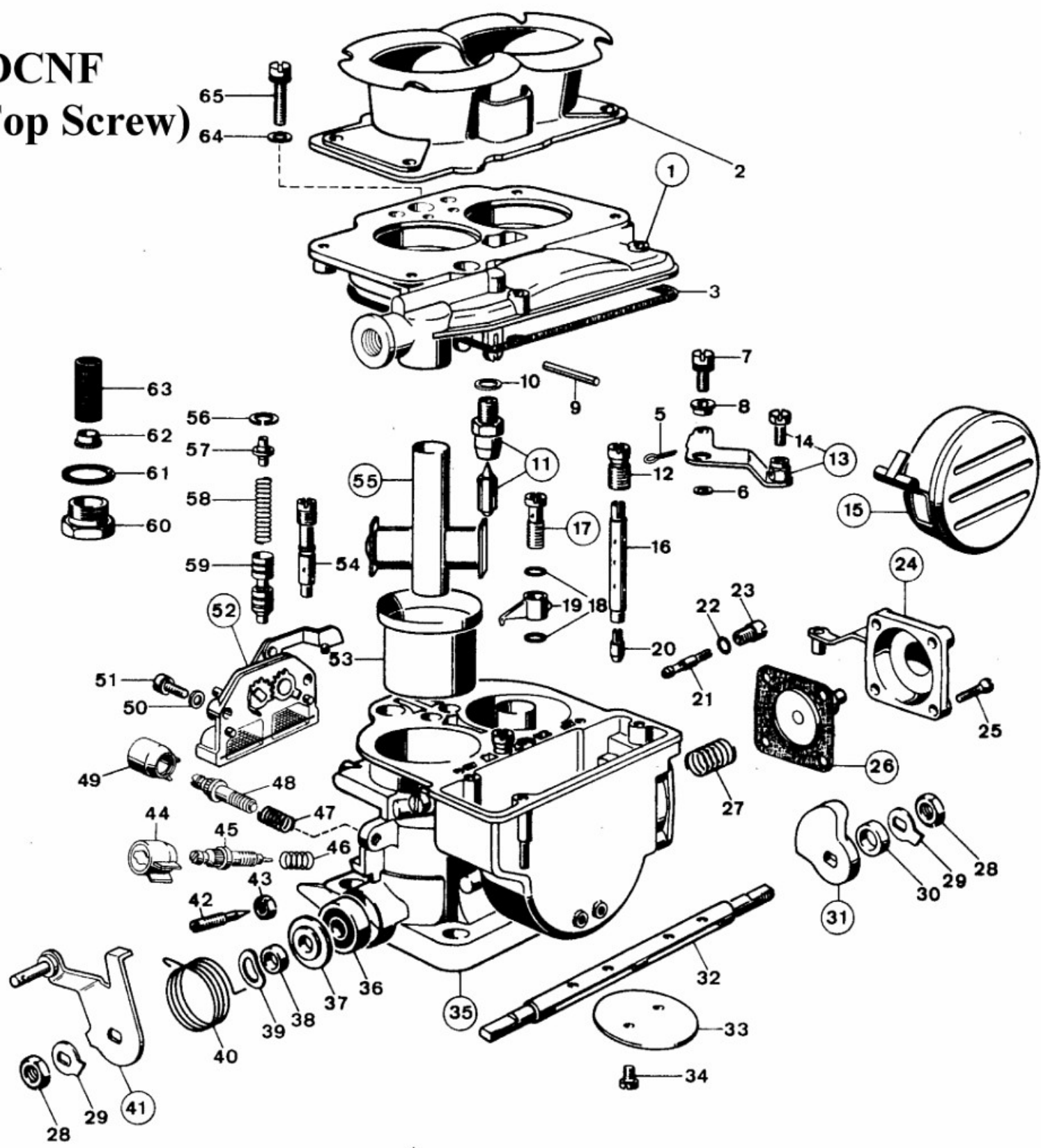
36 DCD
PART NO:
18910.007



40 DCNF 12
Part Number:
18950.060

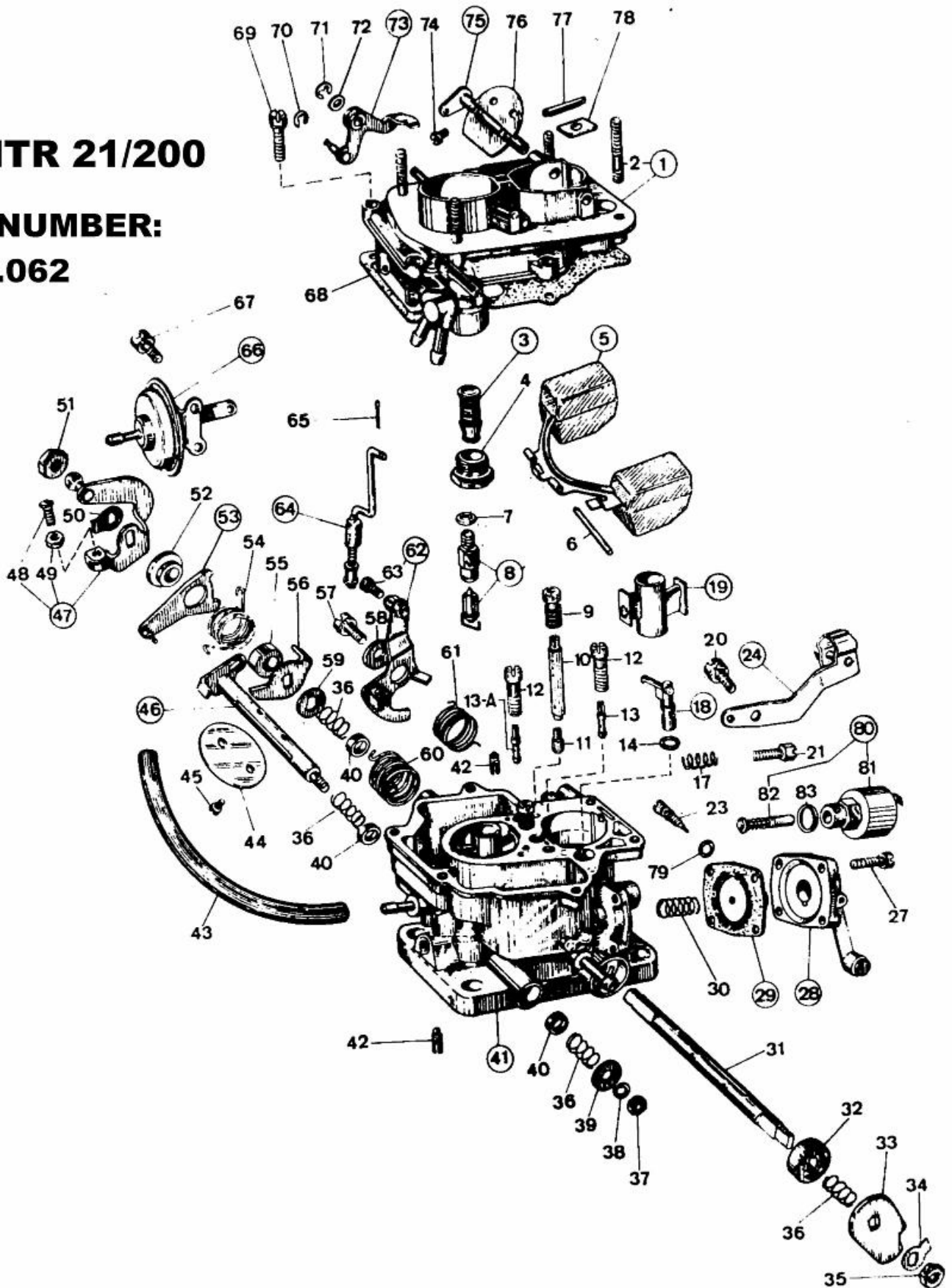


44 DCNF (4 Top Screw)



34 DMTR 21/200

**PART NUMBER:
18890.062**

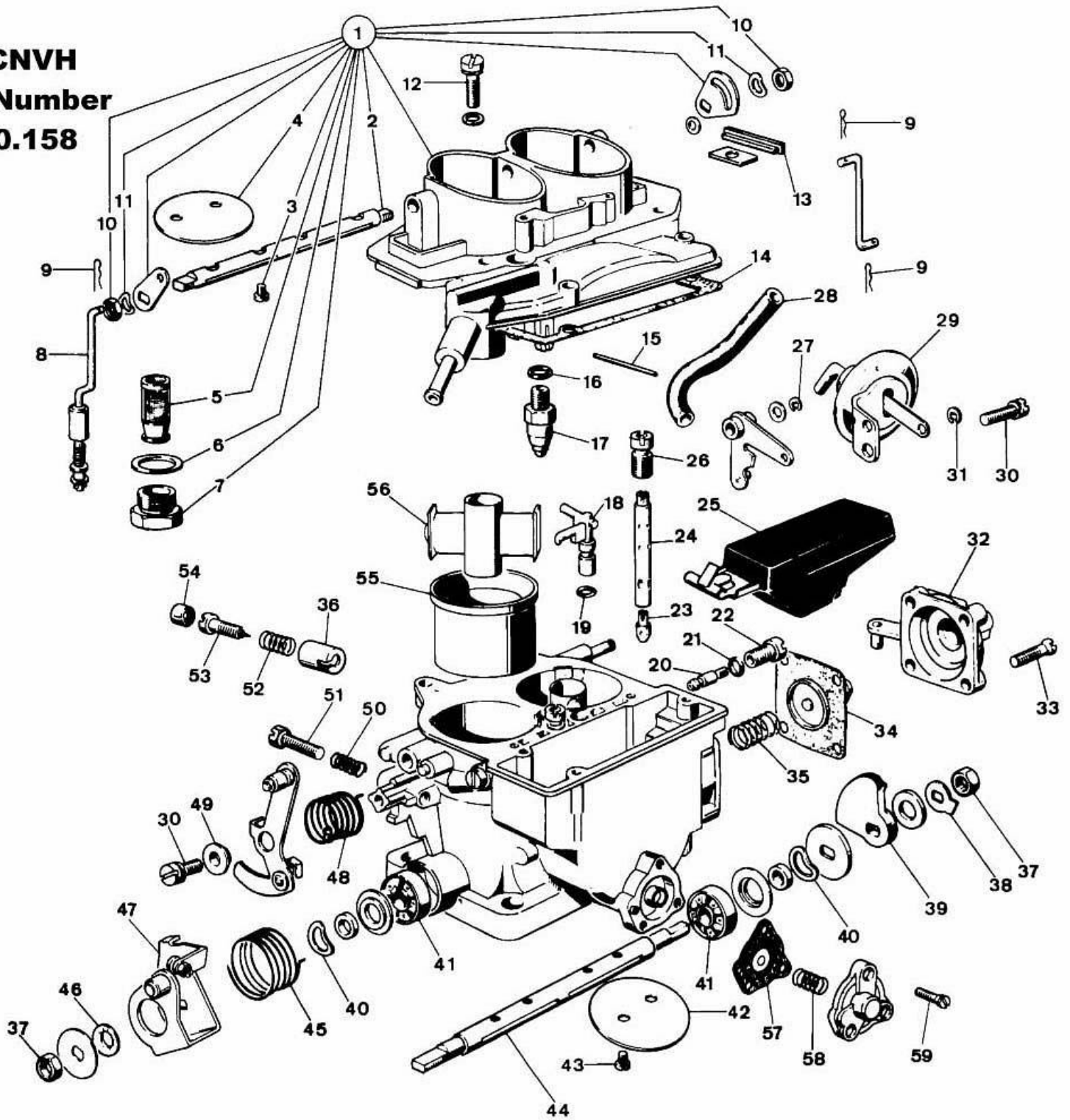


PARTS LIST

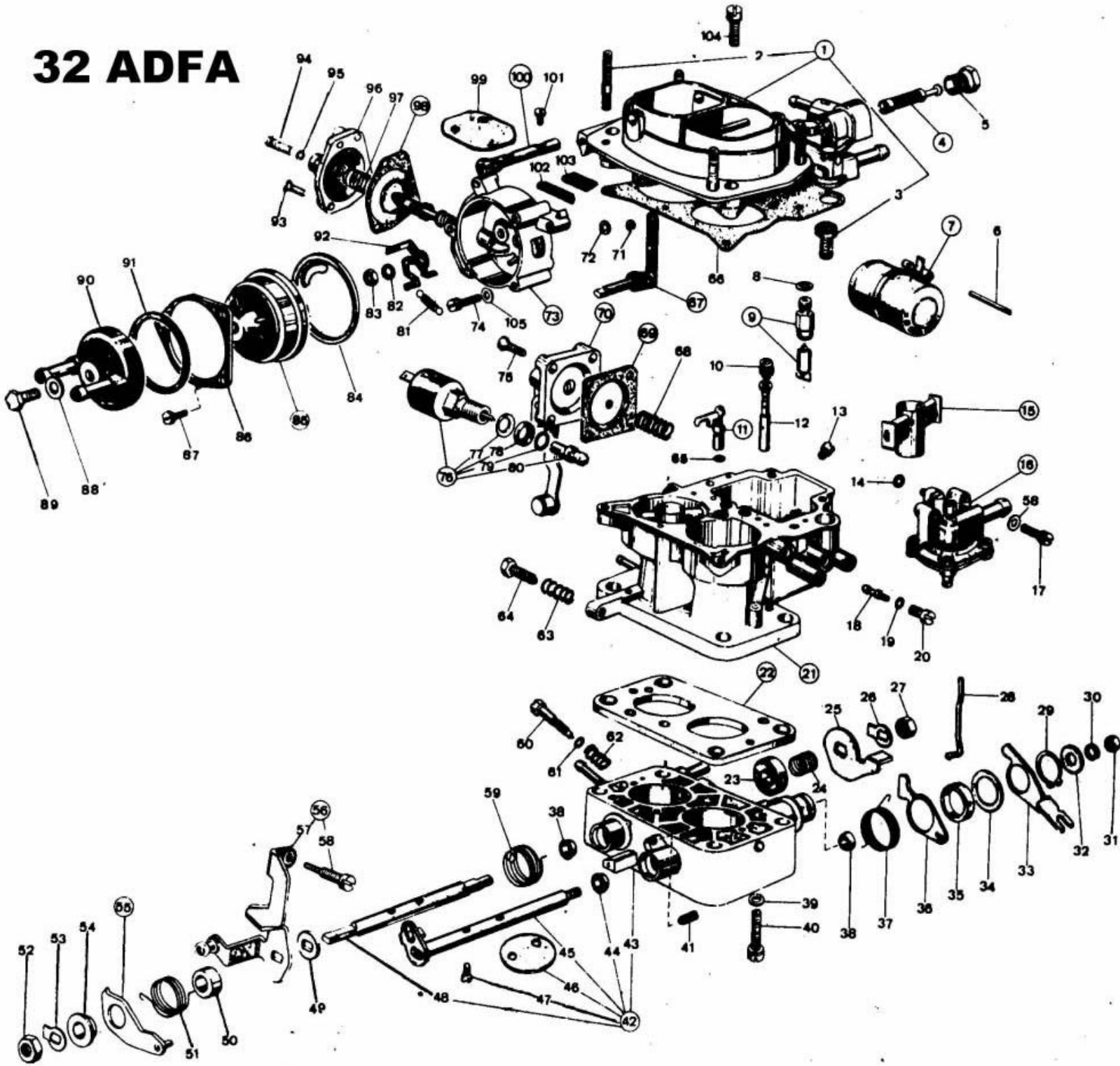
TYPE 34 DMTR 21/200

Dia No.	Qty. Req'd	Description	Part Number	Dia No.	Qty. Req'd	Description	Part Number
1	1	Carburetor Top –Including	Not available	44	2	Throttle Plate	64005.018
2	4	-5 Mm Stud 38 Mm Long	64955.004	45	4	Throttle Plate Screw	64520.027
3	1	Fuel Filter	37022.010	46	1	Secondary Throttle Shaft	10015.255
4	1	Fuel Filter Inspection Plug	61002.018	46	1	Secondary Throttle Shaft Oversized	10016.207
5	1	Float – Plastic	41030.012	47	1	Throttle Lever	45041.071
6	1	Float Pin	52000.036	48	1	Screw	64595.009
7	1	Needle Valve Gasket	83102.070	49	1	Nut	34715.006
8	1	Needle & Seat	79507.*	50	1	Shaft Nut Lock Tab	55520.002
9	2	Air Corrector Jet	77501.*	51	1	Shaft Nut	34715.014
10	2	Emulsion Tube	61450.*	52	1	Bushing	12775.053
11	2	Main Jet	73405.*	53	1	Loose Lever	45069.015
12	2	Idle Jet Holder	52570.004	54	1	Spring	47610.092
13	2	Idle Jet	74403.*	55	1	Bushing	12750.087
14	1	Pump Jet O-Ring	41565.001	56	1	Primary Throttle Stop Lever	Not available
17	1	Idle Speed Screw Spring	47600.007	57	1	Lever Fixing Screw	64700.012
18	1	Pump Jet	76407.*	58	1	Washer	55510.002
19	2	Auxiliary Venturi	71115.*	59	1	Shaft Spacer	55555.019
20	1	Lever Fixing Screw	64700.012	60	1	Spring	47610.091
21	1	Throttle Stop Screw	64625.012	61	1	Choke Lever Spring	47610.058
23	1	Mixture Screw	64750.044	62	1	Choke Lever –Including	45202.091
24	1	Choke Cable Bracket	Not available	63	1	-Choke Cable Fixing Screw	64615.004
27	4	Pump Cover Fixing Screw	64700.006	64	1	Choke Rod	61287.009
28	1	Pump Cover	Not available	65	1	Split Pin	32610.005
29	1	Accelerator Pump Diaphragm	47407.249	66	1	Carb Capsule	57804.107
30	1	Accelerator Pump Spring	47600.107	67	2	Lever Fixing Screw	64700.012
31	1	Primary Throttle Shaft	10000.241	68	1	Top Cover Gasket	41705.041
31	1	Primary Throttle Shaft – Oversized	10001.209	69	6	Top Cover Fixing Screw	64700.005
32	1	Shaft Bushing	50002.008	70	1	Spring Ring	10140.501
33	1	Pump Cam	Not available	71	1	Clip	10140.502
34	1	Shaft Nut Lock Tab	55520.004	72	1	Carb Washer	55510.034
35	1	Shaft Nut	34710.003	73	1	Lever	45069.017
36	4	Bushing Retaining Spring	47600.027	74	2	Choke Plate Fixing Screw	64525.003
37	1	Fixing Nut	34705.001	75	1	Choke Rod	10015.256
38	1	Spring Washer	55525.001	76	1	Choke Plate	64010.029
39	1	Washer	Not available	77	1	Dust Seal Plug	61070.002
40	3	Shaft Retaining Bushing	12750.085	78	1	Dust Seal Plate	52135.010
41	1	Carburetor Body	Not available	79	1	O-Ring	41565.010
42	2	Set Screw	Not available	80	1	Idle Cut Off Unit Complete –Includes	43840.014
43	1	Vacuum Line	Not available	81	1	Idle Cut Off Unit	Not available
		*Calibrated Parts Require 3 Digits To		82	1	Idle Cut Off Needle	58352.010
		Complete Part Number		83	1	Idle Cut Off Gasket	41535.003
		See Calibrated Parts Section For Sizes					
	3/2/01						

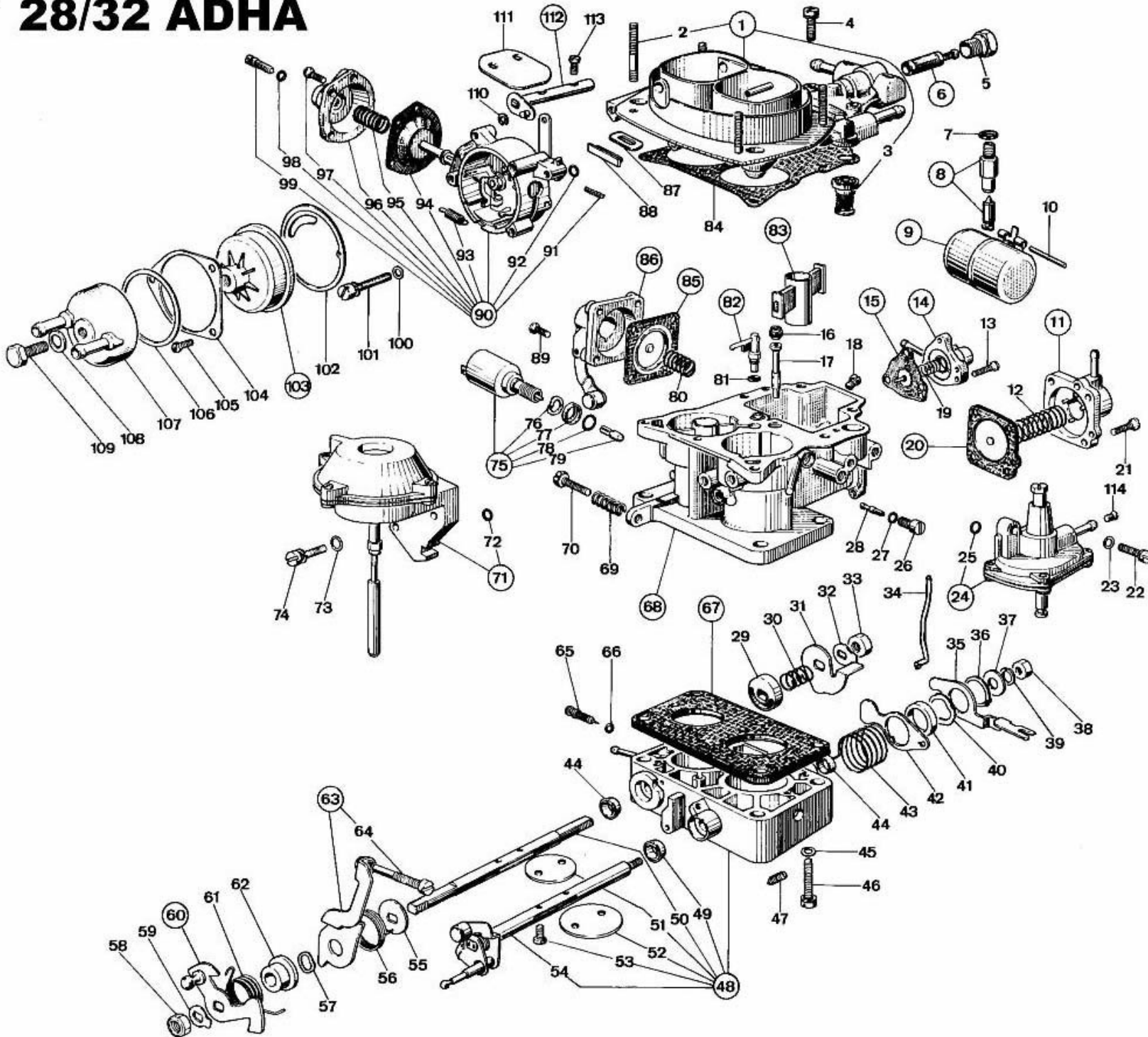
36 DCNVH
Part Number
18910.158



32 ADFA



28/32 ADHA



PARTS LIST

TYPE 28/32 ADHA – PART NO. 22560.006

Dia No.	Qty. Req'd	Description	Part Number	Dia No.	Qty. Req'd	Description	Part Number
1	1	Top Cover	Not Serviced	58	1	Throttle Shaft Fixing Nut	34715.014
2	4	Top Cover Stud	64955.007	59	1	Shaft Lock Tab	55520.002
3	1	Plunger	64372.009	60	1	Throttle Lever	45027.137
4	6	Top Cover Fixing Screw	64700.005	61	1	Spring	Not Serviced
5	1	Plug	61002.019	62	1	Bushing	12775.075
6	1	Fuel Screen	37022.004	63	1	Lever	45069.055
7	1	Needle Valve Gasket	83102.070	64	1	Screw	64590.010
8	1	Needle & Seat	79510.+++	65	1	Mixture Screw	64750.051
9	1	Brass Float	41015.004	66	1	O-Ring	41565.010
10	1	Float Pin	52000.015	67	1	Flange	39152.019
11	1	Auxiliary Pump Cover	32486.080	68	1	Carburetor Body	Not Serviced
12	1	Auxiliary Diaphragm Spring	47600.175	69	1	Spring	47600.094
13	3	Screw	64565.001	70	1	Screw	64895.011
14	1	Power Valve Cover	32386.024	71	1	Capsule	31800.047
15	1	Diaphragm	47407.156	72	1	O-Ring	41565.008
16	1	Air Corrector Jet	77201.*	73	2	Washer	55510.034
17	1	Emulsion Tube	61440.*	74	2	Top Cover Fixing Screw	64700.005
18	1	Main Jet	73801.*	75	1	Idle Cut Off Solenoid	43903.055
19	1	Spring	47600.171	76	1	Wavy Washer	55530.016
20	1	Diaphragm	47407.163	77	1	Plate	58000.019
21	4	Screw	64565.001	78	1	O-Ring	41565.001
22	2	Screw	64700.011	79	1	Idle Jet	74409.*
23	2	Washer	55510.018	80	1	Pump Loading Spring	47600.092
24	1	Capsule	31800.046	81	1	O-Ring	41565.001
25	1	O-Ring	41565.008	82	1	Pump Jet	76407.*
26	1	Idle Jet Holder	52570.006	83	1	Auxiliary Venturi	70508.450
27	1	O-Ring For Idle Jet Holder	41565.002	84	1	Top Cover Gasket	41705.049
28	1	Idle Jet	74403.*	85	1	Diaphragm	47407.118
29	1	Shaft Bushing	50002.008	86	1	Accelerator Pump Cover	32486.069
30	1	Bush Retaining Spring	47600.027	87	1	Dust Seal Plate	52135.018
31	1	Lever	Not Serviced	88	1	Dust Seal Plug	61070.002
32	1	Shaft Lock Tab	55520.004	89	4	Screw	64565.001
33	1	Throttle Spindle Nut	34710.003	90	1	Starting Device	57804.321
34	1	Rod Arm	Not Serviced	91	1	Spring	Not Serviced
35	1	Lever	Not Serviced	92	1	O-Ring	41565.008
36	1	Spring Ring	10140.304	93	1	Spring	47605.031
37	1	Washer	55510.081	94	1	Diaphragm	47407.149
38	1	Nut	34705.001	95	1	Pump Loading Spring	47600.092
39	1	Lock Washer	55525.003	96	1	Cover	32384.039
40	1	Washer	12750.103	97	3	Screw	64560.004
41	1	Bushing	12750.103	98	1	O-Ring	41565.010
42	1	Spring Retainer	Not Serviced	99	1	Screw	64895.010
43	1	Spring	47610.102	100	2	Washer	55510.034
44	2	Bushing	41575.010	101	2	Top Cover Screw (Long)	64695.021
45	2	Washer	55510.034	102	1	Auto Choke Body Gasket	41640.052
46	2	Screw	64700.016	103	1	Choke Element	57804.298
47	1	Screw	64595.013	104	1	Choke Lock Ring	52135.029
48	1	Lower Body	Not Serviced	105	3	Screw	64615.004
49	1	Bushing	41575.010	106	1	Water Cover Gasket	41555.001
50	1	Primary Throttle Shaft	Not Serviced	107	1	Water Choke Cover	32444.011
51	1	Primary Throttle Plate	Not Serviced	108	1	Gasket	41530.002
52	1	Secondary Throttle Plate	Not Serviced	109	1	Screw	64610.008
53	4	Screw	64520.027	110	1	Spring Ring	10140.501
54	1	Secondary Throttle Shaft	Not Serviced	111	1	Throttle Valve	64010.034
55	1	Washer	55555.054	112	1	Choke Shaft	10015.274
56	1	Spring	47610.144	113	2	Choke Plate Fixing Screw	64525.003
57	1	Wavy Washer	55530.002	114	1	Screw	64570.005
		*Calibrated Parts Require 3 Digits To					
		Complete Part Number				+++ Call For Sizes.	
		See Calibrated Parts Section For					
		Sizes.					